

Trim for Swinging Patio Doors
(Multi Point Lock Trim)

EMTEK[®]

ASSA ABLOY

January 2008

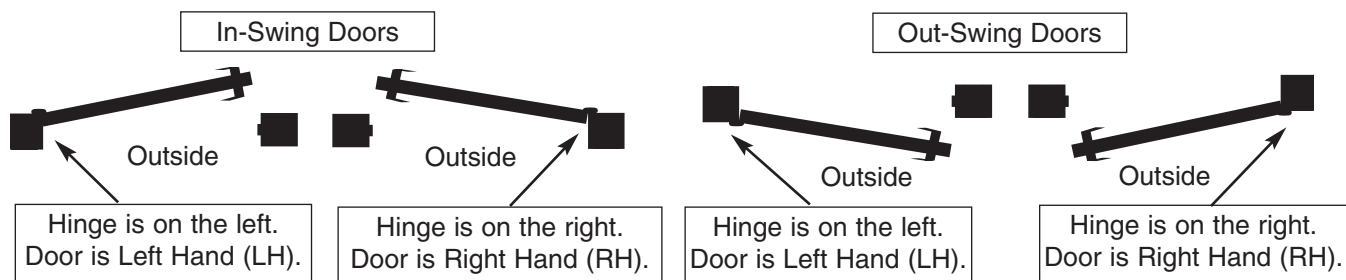


An ASSA ABLOY Group brand

ASSA ABLOY

Distinctive. Hardware for Fine Homes

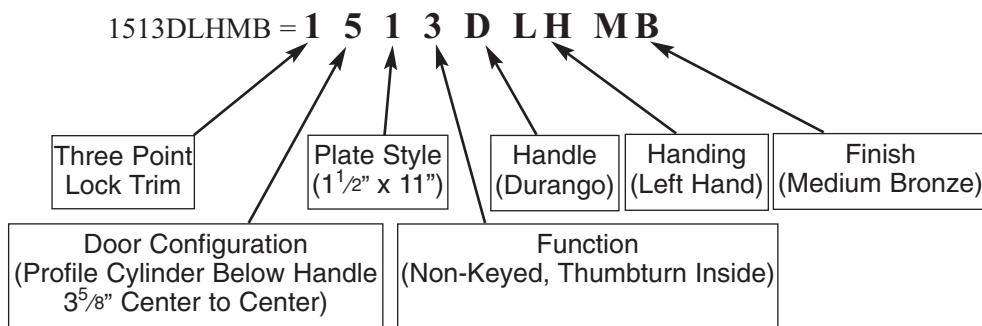
HAND OF DOOR IS ALWAYS DETERMINED FROM THE OUTSIDE



FINISHES

- US7 - French Antique
- US10B - Oil Rubbed Bronze
- US15 - Satin Nickel
- US15A - Pewter
- PVD-Lifetime
- DB - Deep Burgundy
- FB - Flat Black
- MB - Medium Bronze
- SP - Silver Patina

PRODUCT CODE FORMAT




TERMS AND CONDITIONS OF SALE

TERMS:

Net 30 Days on established credit.

FREIGHT:

Emtek pays the freight on all shipments via three day service. 

RETURNED GOODS:

Merchandise may be returned only with approval from the factory. A factory issued RGA number must accompany all returns. All returns must be sent freight prepaid. Returned goods are subject to a 15% handling charge.

MINIMUM ORDER:

There is no minimum order quantity. A \$5.00 handling charge will be added to orders valued at less than \$50.00 net.

PATINA FINISHES:

Sandcast & Lost Wax Cast Bronze products have patina finishes that will gracefully age showing highlights of the underlying bronze over time.

PRICES:

Prices are subject to change without prior notice.

WARRANTY:

See last page of this booklet for warranty information.

Trim for Swinging Patio Doors (Multi Point Lock Trim)

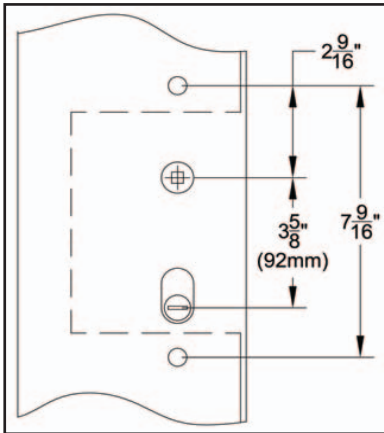
	PAGE
Door Configuration #1 _____	5-8
American Cylinder Hub Below Handle, 3 ⁵ / ₈ " Center to Center ref. G-U®, Marvin Integrity®, KML by Andersen®, Atrium®, Superior®	
Door Configuration #2 _____	9-12
American Cylinder Hub Above Handle, 3 ⁵ / ₈ " Center to Center ref. G-U®, Eagle®, BiltBest®, Hurd® (Energy Save Line)	
Door Configuration #3 _____	13-16
American Cylinder Hub Above Handle, 4 ¹ / ₈ " Center to Center, ref. Andersen®	
Door Configuration #4 _____	17-20
American Cylinder Hub Above Handle, 3 ⁵ / ₈ " Center to Center ref. Ashland®, Caradco®, Marvin®, Milgard® , PGT®, Jeldwen® Customer Collection (formerly Pozzi®)	
Door Configuration #5 _____	21-24
Euro Profile Cylinder Below Handle, 3 ⁵ / ₈ " Center to Center ref. Hoppe®, Hurd®, JELD-WEN®, Kolbe & Kolbe®, Lincoln®, Loewen®,Peachtree®, Premium Collection (formerly Norco®), Semco®, Vetter®, Weathershield®, Therma-Tru® , Willmar®, Sierra Pacific®, KFV®, Simpson®, Signature®, Crestline®, Windsor®	
Door Configuration #6 _____	25-28
American Cylinder Hub Below Handle, 3 ⁵ / ₈ " Center to Center ref. Pella®	
Door Configuration #7 _____	29-31
American Cylinder Hub Above Handle, 6" Center to Center for doors made by W&F MANUFACTURING® (AKA Trillanium®)	

Disclaimer:

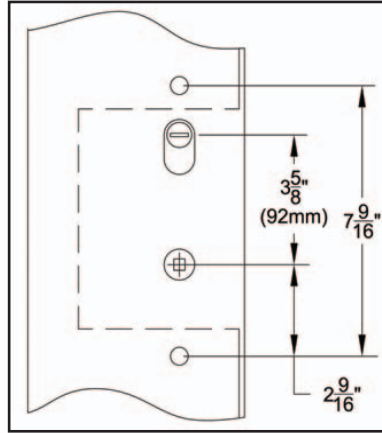
Door Manufacturers listed under each configuration are for reference only and are subject to change. Please contact Emtek's customer service department to confirm product model.

G-U® is a registered trademark of G-U Hardware, Inc. Pella® is a registered trademark of Pella Corporation. Sierra Pacific Windows® is a registered trademark of Sierra Pacific Industries. Superior® is a registered trademark of Superior Engineered Products Corporation. Willmar® is a registered trademark of JELD-WEN of Canada Ltd. Andersen® is a registered trademark of Andersen Corporation. Trillanium® is a registered trademark of Trillanium. Eagle® is a registered trademark of Eagle Window and Door, Inc, BiltBest® is a registered trademark of BiltBest Windows and Patio Doors. Ashland® is a registered trademark of Ashland Products, Inc. Caradco®, JELD-WEN, Norco® and Pozzi® are registered trademarks of JELD-WEN Inc., Oregon, USA. Integrity® and Marvin® are registered trademarks of Marvin Windows and Doors. Milgard® is a registered trademark of Milgard Windows, Inc. Therma-Tru® is a registered trademark of Therma-Tru Doors®. HOPPE® is a registered trademark of HOPPE North America, Inc. Hurd® is a registered trademark of Hurd Millwork Company. Kolbe & Kolbe® is a registered trademark of Kolbe & Kolbe Millwork Company, Inc. Lincoln® is a registered trademark of Lincoln Wood Products, Inc. Loewen® is a registered trademark of Loewen Windows. PGT® is a registered trademark of PGT Industries. Peachtree® and Vetter® are registered trademark of The Peachtree Companies, Inc. Semco® is a registered trademark of Semling-Menke Co. Inc. Weathershield® is a registered trademark of Weathershield Mfg. Inc. KML by Andersen® is a registered trademark of KML by Andersen. Atrium® is a registered trademark of Atrium. KFV® is a registered trademark of KFV. Simpson® is a registered trademark of Simpson. Signature® is a registered trademark of Signature. Crestline® is a registered trademark of Crestline. Winsor® is a registered trademark of Winsor. W&F MANUFACTURING® is a registered trademark of W&F MANUFACTURING. None of the aforementioned companies are affiliated with Emtek Products, Inc.

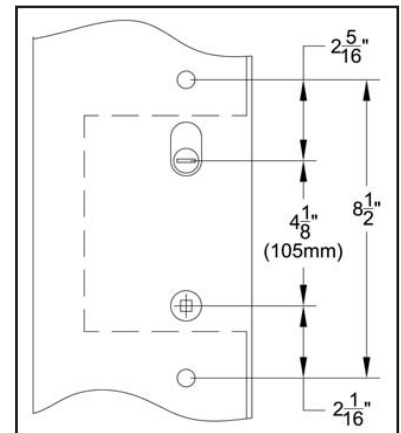
**Choose trimsets for seven door and lock configurations.
Both keyed and non-keyed functions available for each configuration**



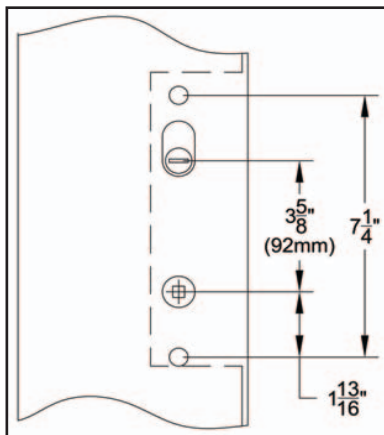
Door Configuration #1
American Cylinder Below Handle
3⁵/₈" Center to Center



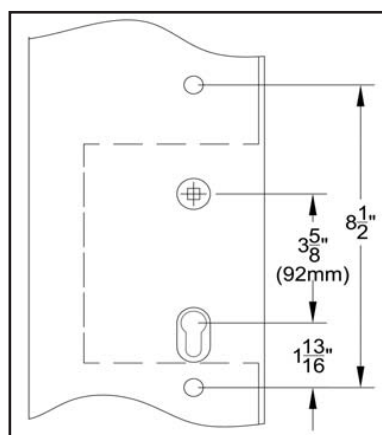
Door Configuration #2
American Cylinder Above Handle
3⁵/₈" Center to Center



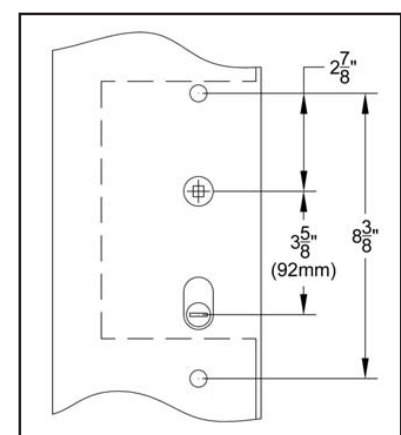
Door Configuration #3
American Cylinder Above Handle
4¹/₈" Center to Center



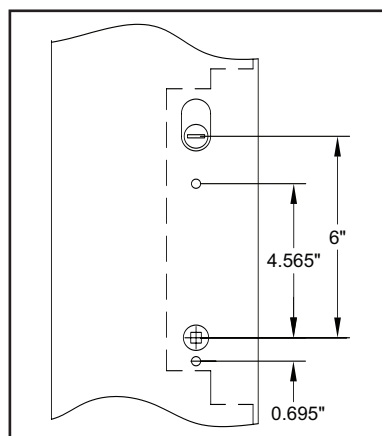
Door Configuration #4
American Cylinder Above Handle
3⁵/₈" Center to Center



Door Configuration #5
Euro Profile Cylinder Below Handle
3⁵/₈" Center to Center

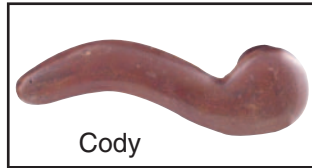


Door Configuration #6
American Cylinder Below Handle
3⁵/₈" Center to Center

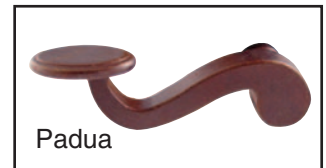
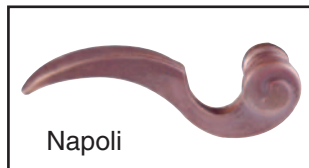


Door Configuration #7
American Cylinder Hub Above Handle
6" Center to Center

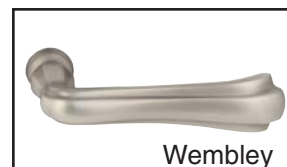
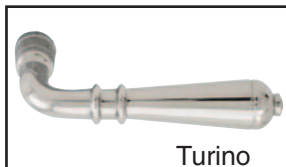
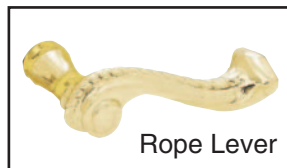
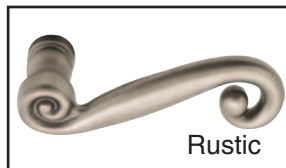
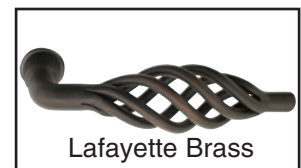
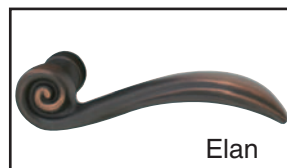
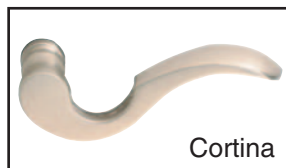
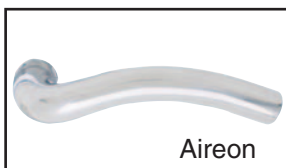
Sandcast Bronze Lever Options



Lost Wax Cast Bronze Lever Options



Brass Lever Options

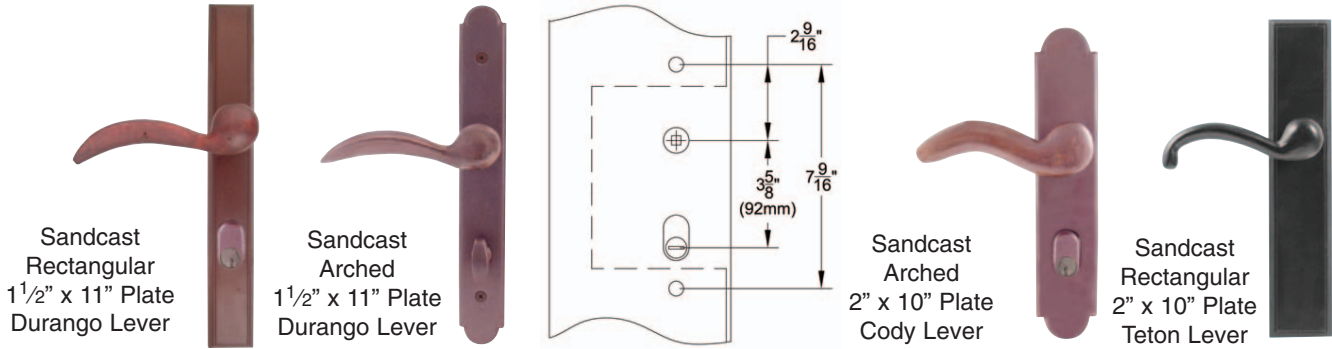


Sandcast Bronze Trim and Cylinders for Multi Point Locks

Swinging Patio Door Hardware - Set includes Plates, Handles and Cylinders (where applicable)

Door Configuration #1

G-U®, Marvin Integrity®, KML by Andersen®, Atrium®, Superior®



Sandcast Bronze Arched Plates

Sets with 1 1/2" x 11" Plates

- Keyed with American Cylinder _____ 1111 (Schlage® keyway, rekeyable)
- Non-Keyed, Passage _____ 1112
- Non-Keyed, American Style _____ 1113 Thumbturn Inside
- Non-Keyed, Fixed Handle Outside, _____ 1114 Operating Handle Inside
- Dummy Pair _____ 1115

Sets with 2" x 10" Plates

- Keyed with American Cylinder _____ 1121 (Schlage® keyway, rekeyable)
- Non-Keyed, Passage _____ 1122
- Non-Keyed, American Style _____ 1123 Thumbturn Inside
- Non-Keyed, Fixed Handle Outside, _____ 1124 Operating Handle Inside
- Dummy Pair _____ 1125

Sandcast Bronze Rectangular Plates

Sets with 1 1/2" x 11" Plates

- Keyed with American Cylinder _____ 1151 (Schlage® keyway, rekeyable)
- Non-Keyed, Passage _____ 1152
- Non-Keyed, American Style _____ 1153 Thumbturn Inside
- Non-Keyed, Fixed Handle Outside, _____ 1154 Operating Handle Inside
- Dummy Pair _____ 1155

Sets with 2" x 10" Plates

- Keyed with American Cylinder _____ 1161 (Schlage® keyway, rekeyable)
- Non-Keyed, Passage _____ 1162
- Non-Keyed, American Style _____ 1163 Thumbturn Inside
- Non-Keyed, Fixed Handle Outside, _____ 1164 Operating Handle Inside
- Dummy Pair _____ 1165

Product Code

Specify Lever Style And Handing

Finish

List Price

Durango Cody or Teton Lever (LH/RH)

Deep Burgundy (DB)
Medium Bronze (MB)
Silver Patina (SP)
Flat Black (FB)

\$138⁶⁰

Handing required.
Key codes may be specified.
Sets fit standard door thickness of 1 3/4", specify if different.

Lost Wax Cast Bronze Trim and Cylinders for Multi Point Locks

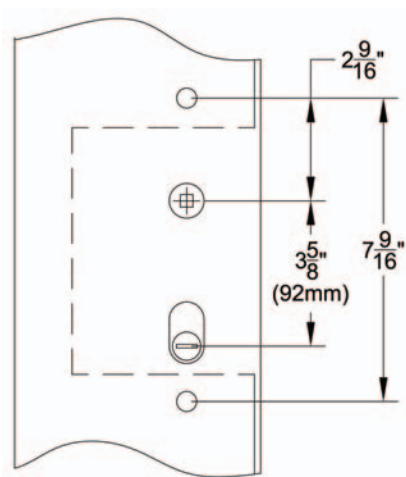
Swinging Patio Door Hardware - Set includes Plates, Handles and Cylinders (where applicable)

Door Configuration #1

G-U®, Marvin Integrity®, KML by Andersen®, Atrium®, Superior®



Tuscany
1 1/2" x 11" Plate
Napoli Lever



Tuscany
2" x 10" Plate
Medici Lever



Tuscany
2" x 10" Plate
Octagon Lever

Lost Wax Cast Bronze Plates

	Product Code	Specify Lever Style And Handing	Finish	List Price
Sets with 1 1/2" x 11" Plates				
• Keyed with American Cylinder (Schlage® keyway, rekeyable)	1131	Medici Napoli Octagon Padua or Art Nouveau Lever (LH/RH)	Deep Burgundy (DB) Medium Bronze (MB) Silver Patina (SP) Flat Black (FB)	\$138⁶⁰
• Non-Keyed, Passage	1132			
• Non-Keyed, American Style Thumbturn Inside	1133			
• Non-Keyed, Fixed Handle Outside, Operating Handle Inside	1134			
• Dummy Pair	1135			
Sets with 2" x 10" Plates				
• Keyed with American Cylinder (Schlage® keyway, rekeyable)	1141	Medici Napoli Octagon Padua or Art Nouveau Lever (LH/RH)	Deep Burgundy (DB) Medium Bronze (MB) Silver Patina (SP) Flat Black (FB)	\$138⁶⁰
• Non-Keyed, Passage	1142			
• Non-Keyed, American Style Thumbturn Inside	1143			
• Non-Keyed, Fixed Handle Outside, Operating Handle Inside	1144			
• Dummy Pair	1145			

Handing required.
Key codes may be specified.
Sets fit standard door thickness of 1 3/4", specify if different.

Brass Trim and Cylinders for Multi Point Locks

Swinging Patio Door Hardware - Set includes Plates, Handles and Cylinders (where applicable)

Door Configuration #1

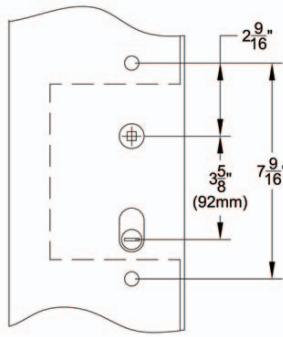
G-U®, Marvin Integrity®, KML by Andersen®, Atrium®, Superior®



Brass Concord
1 1/2" x 11" Plate
Cortina Lever



Brass Petal
1 1/2" x 11" Plate
Elan Lever



Brass Concord
2" x 10" Plate
Milano Lever



Brass Petal
2" x 10" Plate
Lafayette Lever

Brass Plates, Concord Style

Sets with 1 1/2" x 11" Plates

- Keyed with American Cylinder _____ **1171**
- (Schlage® keyway, rekeyable)
- Non-Keyed, Passage _____ **1172**
- Non-Keyed, American Style _____ **1173**
- Thumbturn Inside
- Non-Keyed, Fixed Handle Outside, _____ **1174**
- Operating Handle Inside
- Dummy Pair _____ **1175**

Sets with 2" x 10" Plates

- Keyed with American Cylinder _____ **1181**
- (Schlage® keyway, rekeyable)
- Non-Keyed, Passage _____ **1182**
- Non-Keyed, American Style _____ **1183**
- Thumbturn Inside
- Non-Keyed, Fixed Handle Outside, _____ **1184**
- Operating Handle Inside
- Dummy Pair _____ **1185**

Brass Plates, Petal Style

Sets with 1 1/2" x 11" Plates

- Keyed with American Cylinder _____ **1191**
- (Schlage® keyway, rekeyable)
- Non-Keyed, Passage _____ **1192**
- Non-Keyed, American Style _____ **1193**
- Thumbturn Inside
- Non-Keyed, Fixed Handle Outside, _____ **1194**
- Operating Handle Inside
- Dummy Pair _____ **1195**

Sets with 2" x 10" Plates

- Keyed with American Cylinder _____ **1101**
- (Schlage® keyway, rekeyable)
- Non-Keyed, Passage _____ **1102**
- Non-Keyed, American Style _____ **1103**
- Thumbturn Inside
- Non-Keyed, Fixed Handle Outside, _____ **1104**
- Operating Handle Inside
- Dummy Pair _____ **1105**

Product Code	Specify Lever Style And Handing	Finish	List Price
1171	Aireon Cortina Elan Brass Lafayette Milano Ribbon & Reed Rope Rustic Turino Santa Fe or Wembley Lever (LH/RH)	French Antique (US7) Oil Rubbed Bronze (US10B) Satin Nickel (US15) Pewter (US15A) or PVD-Lifetime	\$138⁶⁰
1172			
1173			
1174			
1175			
1181			
1182			
1183			
1184			
1185			
1191			
1192			
1193			
1194			
1195			
1101			
1102			
1103			
1104			
1105			

Handing required.
Key codes may be specified.
Sets fit standard door thickness of 1 3/4", specify if different.

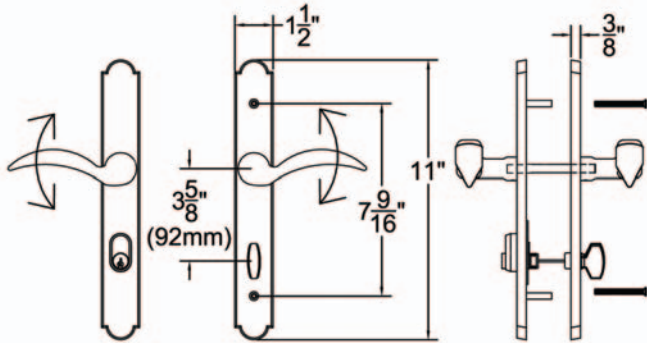
Specification Sheet - Door Configuration #1

Trim and Cylinders for Multi Point Locks

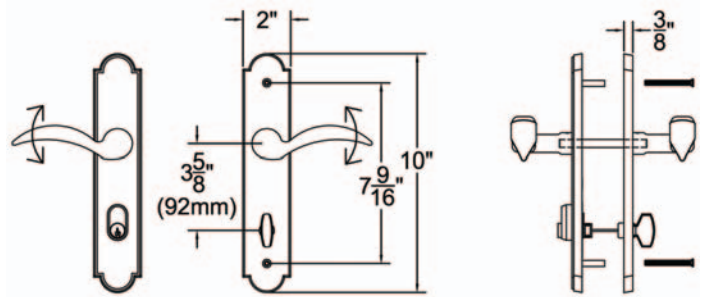
Swinging Patio Door Hardware - Set includes Plates, Handles and Cylinders (where applicable)
 G-U®, Marvin Integrity®, KML by Andersen®, Atrium®, Superior®

Keyed with American Cylinder (for Active Door, Schlage Keyway, Rekeyable)

1½" x 11" Plates, Product Codes 1111, 1131, 1151, 1171, 1191

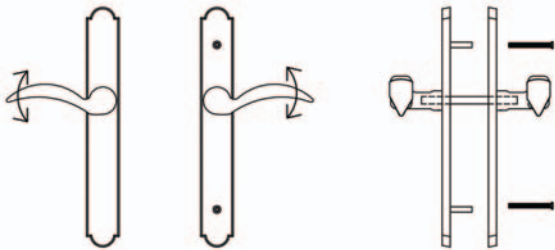


2" x 10" Plates, Product Codes 1121, 1141, 1161, 1181, 1101

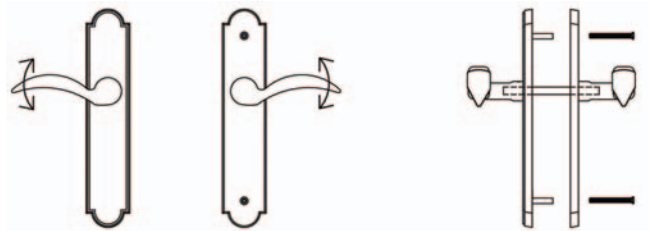


Non-Keyed, Passage (for Semi-Active Door)

1½" x 11" Plates, Product Codes 1112, 1132, 1152, 1172, 1192

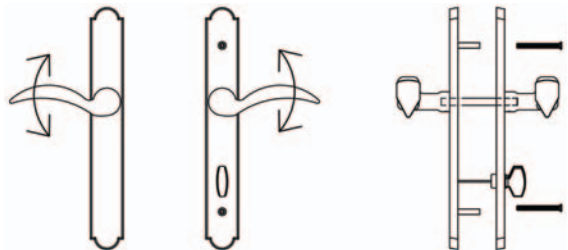


2" x 10" Plates, Product Codes 1122, 1142, 1162, 1182, 1102

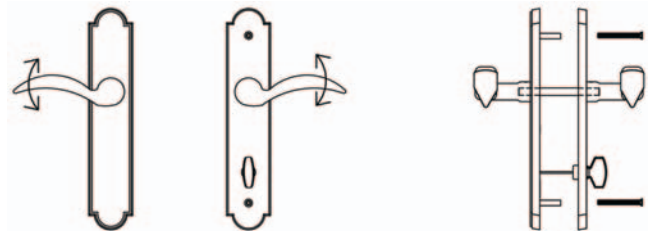


Non-Keyed, American Style Thumbturn Inside (for Active Door)

1½" x 11" Plates, Product Codes 1113, 1133, 1153, 1173, 1193

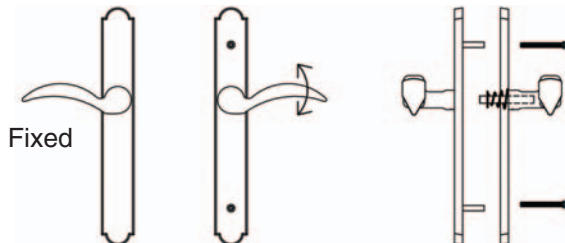


2" x 10" Plates, Product Codes 1123, 1143, 1163, 1183, 1103

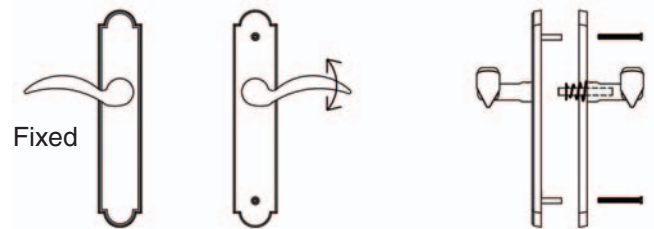


Non-Keyed, Fixed Handle Outside, Operating Handle Inside (for Semi-Active Door)

1½" x 11" Plates, Product Codes 1114, 1134, 1154, 1174, 1194

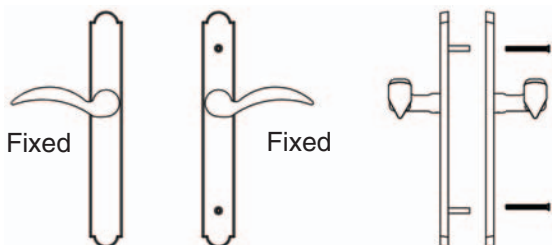


2" x 10" Plates, Product Codes 1124, 1144, 1164, 1184, 1104

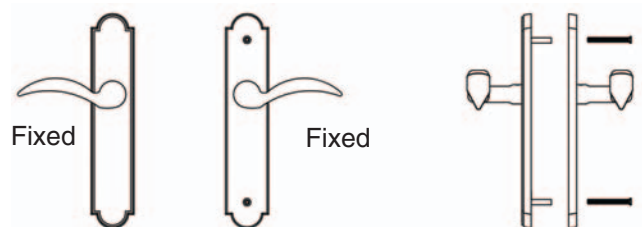


Dummy Pair (for Non-Active Door)

1½" x 11" Plates, Product Codes 1115, 1135, 1155, 1175, 1195



2" x 10" Plates, Product Codes 1125, 1145, 1165, 1185, 1105

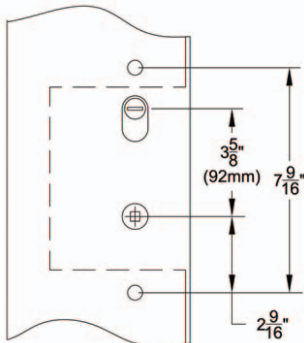


Sandcast Bronze Trim and Cylinders for Multi Point Locks

Swinging Patio Door Hardware - Set includes Plates, Handles and Cylinders (where applicable)

Door Configuration #2

G-U®, Eagle®, BiltBest®, Hurd® (Energy Save Line)



Sandcast Bronze Arched Plates

Sets with 1 1/2" x 11" Plates

- Keyed with American Cylinder (Schlage® keyway, rekeyable) **1211**
- Non-Keyed, Passage **1212**
- Non-Keyed, American Style Thumbturn Inside **1213**
- Non-Keyed, Fixed Handle Outside, Operating Handle Inside **1214**
- Dummy Pair **1215**

Sets with 2" x 10" Plates

- Keyed with American Cylinder (Schlage® keyway, rekeyable) **1221**
- Non-Keyed, Passage **1222**
- Non-Keyed, American Style Thumbturn Inside **1223**
- Non-Keyed, Fixed Handle Outside, Operating Handle Inside **1224**
- Dummy Pair **1225**

Sandcast Bronze Rectangular Plates

Sets with 1 1/2" x 11" Plates

- Keyed with American Cylinder (Schlage® keyway, rekeyable) **1251**
- Non-Keyed, Passage **1252**
- Non-Keyed, American Style Thumbturn Inside **1253**
- Non-Keyed, Fixed Handle Outside, Operating Handle Inside **1254**
- Dummy Pair **1255**

Sets with 2" x 10" Plates

- Keyed with American Cylinder (Schlage® keyway, rekeyable) **1261**
- Non-Keyed, Passage **1262**
- Non-Keyed, American Style Thumbturn Inside **1263**
- Non-Keyed, Fixed Handle Outside, Operating Handle Inside **1264**
- Dummy Pair **1265**

Product Code

Specify Lever Style And Handing

Finish

List Price

Durango Cody or Teton Lever

(LH/RH)

Deep Burgundy (DB)
Medium Bronze (MB)
Silver Patina (SP)
Flat Black (FB)

\$138⁶⁰

Handing required.
Key codes may be specified.
Sets fit standard door thickness of 1 3/4", specify if different.

Lost Wax Cast Bronze Trim and Cylinders for Multi Point Locks

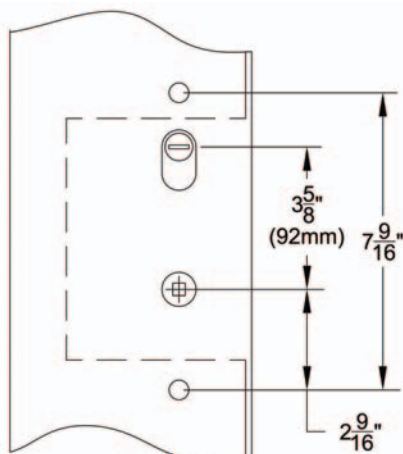
Swinging Patio Door Hardware - Set includes Plates, Handles and Cylinders (where applicable)

Door Configuration #2

G-U®, Eagle®, BiltBest®, Hurd® (Energy Save Line)



Tuscany
1 1/2" x 11" Plate
Padua Lever



Tuscany
2" x 10" Plate
Medici Lever



Tuscany
2" x 10" Plate
Octagon Lever

Lost Wax Cast Bronze Plates

	Product Code	Specify Lever Style And Handing	Finish	List Price
Sets with 1 1/2" x 11" Plates				
• Keyed with American Cylinder (Schlage® keyway, rekeyable)	1231	Medici Napoli Octagon Padua or Art Nouveau Lever (LH/RH)	Deep Burgundy (DB) Medium Bronze(MB) Silver Patina (SP) Flat Black (FB)	\$138⁶⁰
• Non-Keyed, Passage	1232			
• Non-Keyed, American Style Thumbturn Inside	1233			
• Non-Keyed, Fixed Handle Outside, Operating Handle Inside	1234			
• Dummy Pair	1235			
Sets with 2" x 10" Plates				
• Keyed with American Cylinder (Schlage® keyway, rekeyable)	1241	Medici Napoli Octagon Padua or Art Nouveau Lever (LH/RH)	Deep Burgundy (DB) Medium Bronze(MB) Silver Patina (SP) Flat Black (FB)	\$138⁶⁰
• Non-Keyed, Passage	1242			
• Non-Keyed, American Style Thumbturn Inside	1243			
• Non-Keyed, Fixed Handle Outside, Operating Handle Inside	1244			
• Dummy Pair	1245			

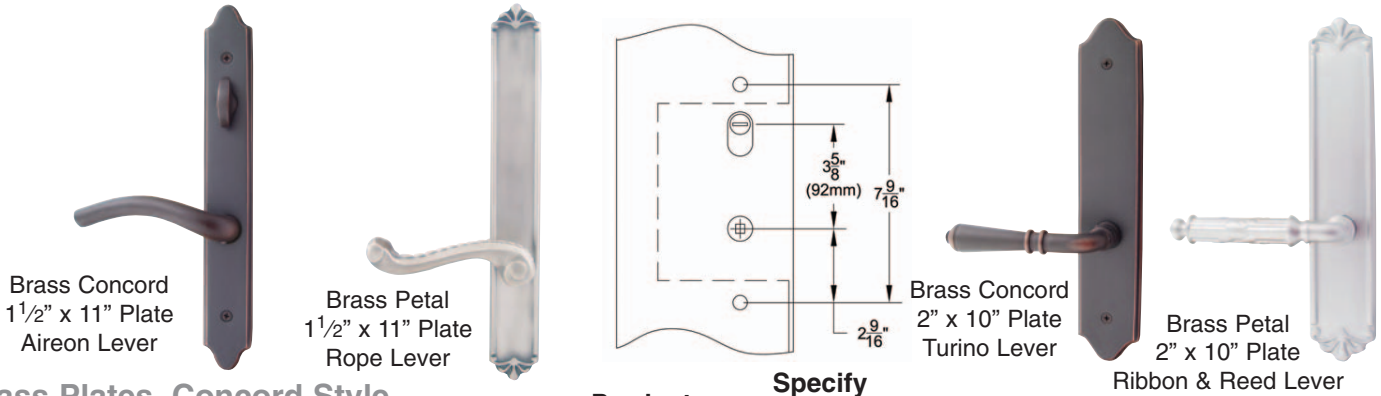
Handing required.
Key codes may be specified.
Sets fit standard door thickness of 1 3/4", specify if different.

Brass Trim and Cylinders for Multi Point Locks

Swinging Patio Door Hardware - Set includes Plates, Handles and Cylinders (where applicable)

Door Configuration #2

G-U®, Eagle®, BiltBest®, Hurd® (Energy Save Line)



Brass Plates, Concord Style

Sets with 1 1/2" x 11" Plates

- Keyed with American Cylinder _____ 1271
(Schlage® keyway, rekeyable)
- Non-Keyed, Passage _____ 1272
- Non-Keyed, American Style _____ 1273
Thumbturn Inside
- Non-Keyed, Fixed Handle Outside, _____ 1274
Operating Handle Inside
- Dummy Pair _____ 1275

Sets with 2" x 10" Plates

- Keyed with American Cylinder _____ 1281
(Schlage® keyway, rekeyable)
- Non-Keyed, Passage _____ 1282
- Non-Keyed, American Style _____ 1283
Thumbturn Inside
- Non-Keyed, Fixed Handle Outside, _____ 1284
Operating Handle Inside
- Dummy Pair _____ 1285

Brass Plates, Petal Style

Sets with 1 1/2" x 11" Plates

- Keyed with American Cylinder _____ 1291
(Schlage® keyway, rekeyable)
- Non-Keyed, Passage _____ 1292
- Non-Keyed, American Style _____ 1293
Thumbturn Inside
- Non-Keyed, Fixed Handle Outside, _____ 1294
Operating Handle Inside
- Dummy Pair _____ 1295

Sets with 2" x 10" Plates

- Keyed with American Cylinder _____ 1201
(Schlage® keyway, rekeyable)
- Non-Keyed, Passage _____ 1202
- Non-Keyed, American Style _____ 1203
Thumbturn Inside
- Non-Keyed, Fixed Handle Outside, _____ 1204
Operating Handle Inside
- Dummy Pair _____ 1205

Product Code

Specify
Lever Style
And Handing

Finish

List Price

Product Code	Specify Lever Style And Handing	Finish	List Price
1271	Aireon Cortina Elan Brass Lafayette Milano Ribbon & Reed Rope Rustic Turino Santa Fe or Wembley Lever (LH/RH)	French Antique (US7) Oil Rubbed Bronze (US10B) Satin Nickel (US15) Pewter (US15A) or PVD-Lifetime	\$138⁶⁰
1272			
1273			
1274			
1275			
1281			
1282			
1283			
1284			
1285			
1291			
1292			
1293			
1294			
1295			
1201			
1202			
1203			
1204			
1205			

Handing required.
Key codes may be specified.
Sets fit standard door thickness of 1 3/4", specify if different.

Specification Sheet - Door Configuration #2

Trim and Cylinders for Multi Point Locks

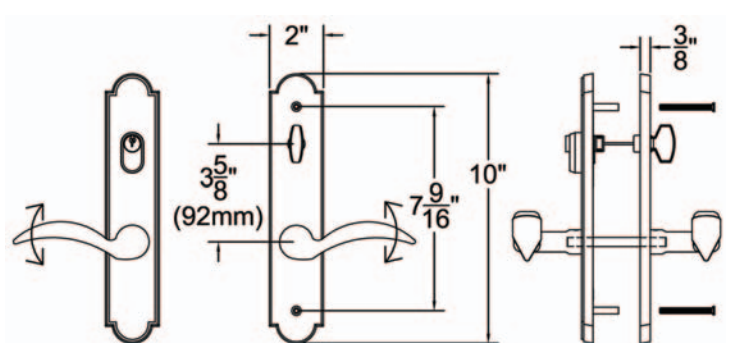
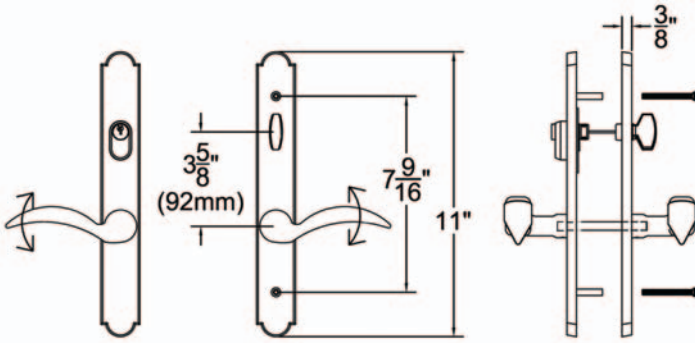
Swinging Patio Door Hardware - Set includes Plates, Handles and Cylinders (where applicable)

G-U®, Eagle®, BiltBest®, Hurd® (Energy Save Line)

Keyed with American Cylinder (for Active Door, Schlage Keyway, Rekeyable)

1½" x 11" Plates, Product Codes 1211, 1231, 1251, 1271, 1291

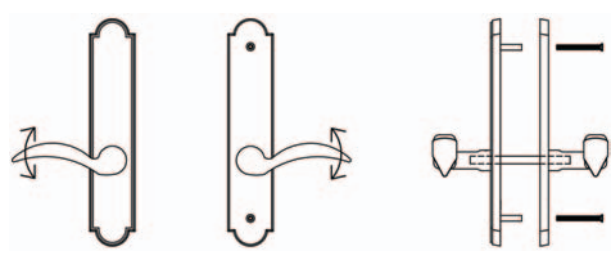
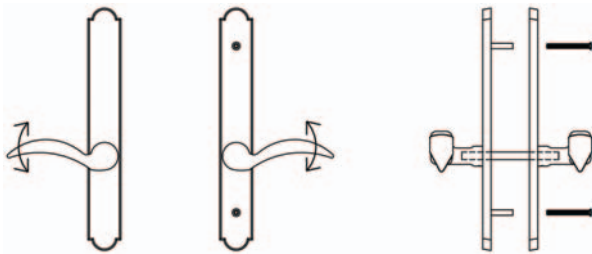
2" x 10" Plates, Product Codes 1221, 1241, 1261, 1281, 1201



Non-Keyed, Passage (for Semi-Active Door)

1½" x 11" Plates, Product Codes 1212, 1232, 1252, 1272, 1292

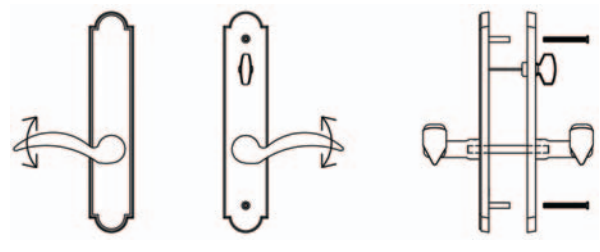
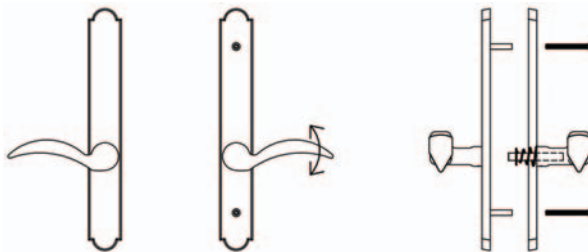
2" x 10" Plates, Product Codes 1222, 1242, 1262, 1282, 1202



Non-Keyed, American Style Thumbturn Inside (for Active Door)

1½" x 11" Plates, Product Codes 1213, 1233, 1253, 1273, 1293

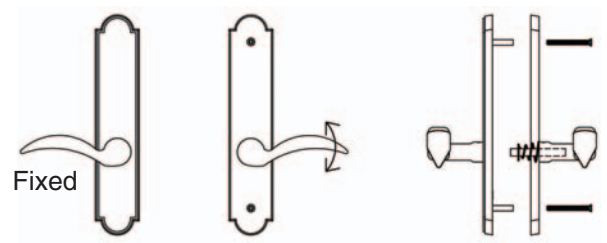
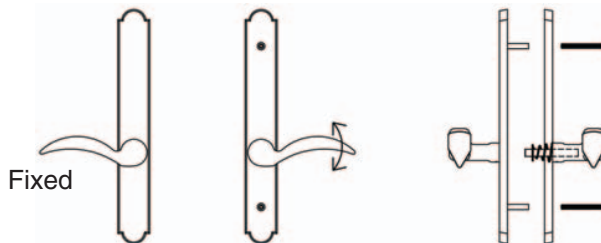
2" x 10" Plates, Product Codes 1223, 1243, 1263, 1283, 1203



Non-Keyed, Fixed Handle Outside, Operating Handle Inside (for Semi-Active Door)

1½" x 11" Plates, Product Codes 1214, 1234, 1254, 1274, 1294

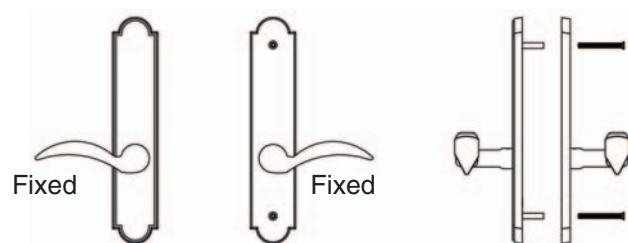
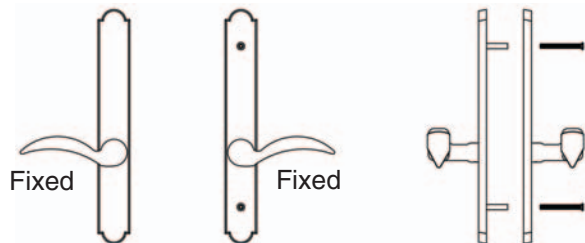
2" x 10" Plates, Product Codes 1224, 1244, 1264, 1284, 1204



Dummy Pair (for Non-Active Door)

1½" x 11" Plates, Product Codes 1215, 1235, 1255, 1275, 1295

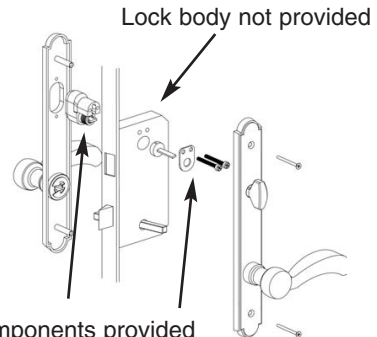
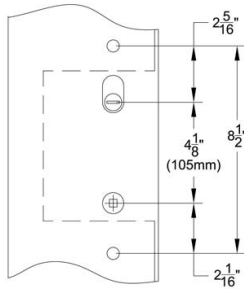
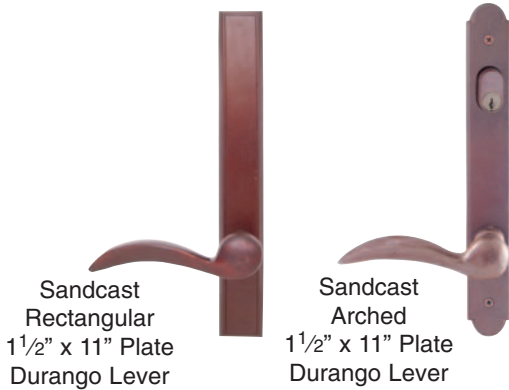
2" x 10" Plates, Product Codes 1225, 1245, 1265, 1285, 1205



Sandcast Bronze Trim and Cylinders for Multi Point Locks

Swinging Patio Door Hardware - Set includes Plates, Handles and Cylinders (where applicable)

Door Configuration #3



Other components provided according to function.

Sandcast Bronze Arched Plates

Sets with 1 1/2" x 11" Plates

- Keyed with American Cylinder _____ **1311**
- (Schlage® keyway, rekeyable)
- Non-Keyed, Passage _____ **1312**
- Non-Keyed, American Style _____ **1313**
- Thumbturn Inside
- Non-Keyed, Fixed Handle Outside, _____ **1314**
- Operating Handle Inside
- Dummy Pair _____ **1315**

Sets with 2" x 10" Plates

- Keyed with American Cylinder _____ **1321**
- (Schlage® keyway, rekeyable)
- Non-Keyed, Passage _____ **1322**
- Non-Keyed, American Style _____ **1323**
- Thumbturn Inside
- Non-Keyed, Fixed Handle Outside, _____ **1324**
- Operating Handle Inside
- Dummy Pair _____ **1325**

Sandcast Bronze Rectangular Plates

Sets with 1 1/2" x 11" Plates

- Keyed with American Cylinder _____ **1351**
- (Schlage® keyway, rekeyable)
- Non-Keyed, Passage _____ **1352**
- Non-Keyed, American Style _____ **1353**
- Thumbturn Inside
- Non-Keyed, Fixed Handle Outside, _____ **1354**
- Operating Handle Inside
- Dummy Pair _____ **1355**

Sets with 2" x 10" Plates

- Keyed with American Cylinder _____ **1361**
- (Schlage® keyway, rekeyable)
- Non-Keyed, Passage _____ **1362**
- Non-Keyed, American Style _____ **1363**
- Thumbturn Inside
- Non-Keyed, Fixed Handle Outside, _____ **1364**
- Operating Handle Inside
- Dummy Pair _____ **1365**

Product Code

Specify
Lever Style
And Handing

Finish

List Price

Durango
Cody
or
Teton
Lever

(LH/RH)

Deep Burgundy (DB)
Medium Bronze (MB)
Silver Patina (SP)
Flat Black (FB)

\$138⁶⁰

Handing required.
Key codes may be specified.
Sets fit standard door thickness of 1 3/4", specify if different.

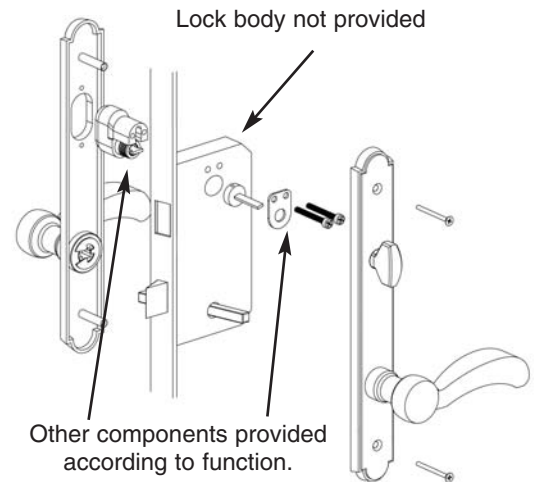
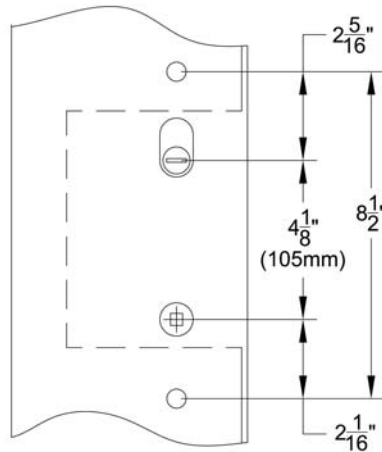
Lost Wax Cast Bronze Trim and Cylinders for Multi Point Locks

Swinging Patio Door Hardware - Set includes Plates, Handles and Cylinders (where applicable)

Door Configuration #3



Tuscany
2" x 10" Plate
Napoli Lever



Lost Wax Cast Bronze Plates

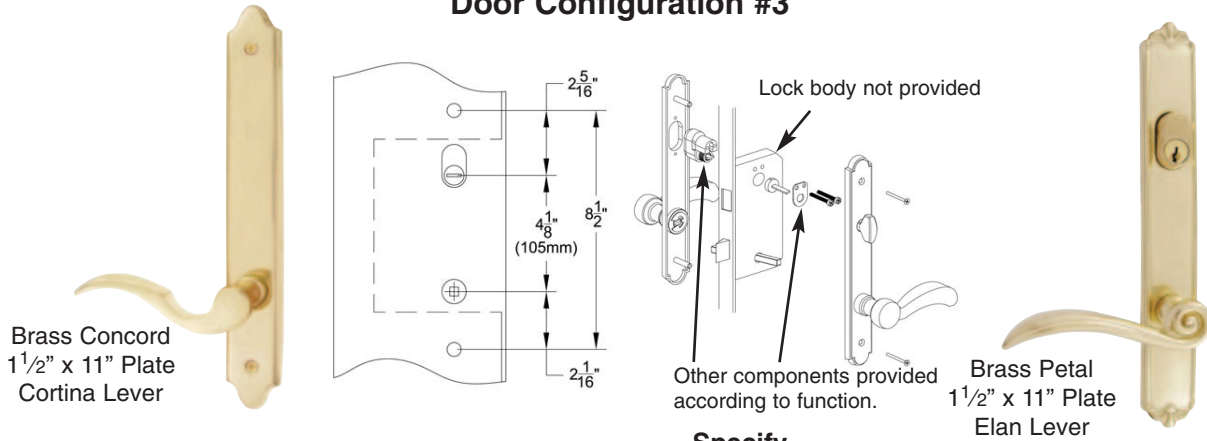
	Product Code	Specify Lever Style And Handing	Finish	List Price
Sets with 1 1/2" x 11" Plates				
• Keyed with American Cylinder (Schlage® keyway, rekeyable)	1331	Medici Napoli Octagon Padua or Art Nouveau Lever (LH/RH)	Deep Burgundy (DB) Medium Bronze (MB) Silver Patina (SP) Flat Black (FB)	\$138⁶⁰
• Non-Keyed, Passage	1332			
• Non-Keyed, American Style Thumbturn Inside	1333			
• Non-Keyed, Fixed Handle Outside, Operating Handle Inside	1334			
• Dummy Pair	1335			
Sets with 2" x 10" Plates				
• Keyed with American Cylinder (Schlage® keyway, rekeyable)	1341			
• Non-Keyed, Passage	1342			
• Non-Keyed, American Style Thumbturn Inside	1343			
• Non-Keyed, Fixed Handle Outside, Operating Handle Inside	1344			
• Dummy Pair	1345			

Handing required.
Key codes may be specified.
Sets fit standard door thickness of 1 3/4", specify if different.

Brass Trim and Cylinders for Multi Point Locks

Swinging Patio Door Hardware - Set includes Plates, Handles and Cylinders (where applicable)

Door Configuration #3



Brass Plates, Concord Style

Sets with 1 1/2" x 11" Plates

- Keyed with American Cylinder _____ **1371**
- (Schlage® keyway, rekeyable)
- Non-Keyed, Passage _____ **1372**
- Non-Keyed, American Style _____ **1373**
- Thumbturn Inside
- Non-Keyed, Fixed Handle Outside, _____ **1374**
- Operating Handle Inside
- Dummy Pair _____ **1375**

Sets with 2" x 10" Plates

- Keyed with American Cylinder _____ **1381**
- (Schlage® keyway, rekeyable)
- Non-Keyed, Passage _____ **1382**
- Non-Keyed, American Style _____ **1383**
- Thumbturn Inside
- Non-Keyed, Fixed Handle Outside, _____ **1384**
- Operating Handle Inside
- Dummy Pair _____ **1385**

Brass Plates, Petal Style

Sets with 1 1/2" x 11" Plates

- Keyed with American Cylinder _____ **1391**
- (Schlage® keyway, rekeyable)
- Non-Keyed, Passage _____ **1392**
- Non-Keyed, American Style _____ **1393**
- Thumbturn Inside
- Non-Keyed, Fixed Handle Outside, _____ **1394**
- Operating Handle Inside
- Dummy Pair _____ **1395**

Sets with 2" x 10" Plates

- Keyed with American Cylinder _____ **1301**
- (Schlage® keyway, rekeyable)
- Non-Keyed, Passage _____ **1302**
- Non-Keyed, American Style _____ **1303**
- Thumbturn Inside
- Non-Keyed, Fixed Handle Outside, _____ **1304**
- Operating Handle Inside
- Dummy Pair _____ **1305**

Specify
Lever Style
And Handing

Finish

List
Price

<p>Aireon Cortina Elan Brass Lafayette Milano Ribbon & Reed RopeRustic Turino Santa Fe or Wembley Lever (LH/RH)</p>	<p>French Antique (US7) Oil Rubbed Bronze (US10B) Satin Nickel (US15) Pewter (US15A) or PVD-Lifetime</p>	<p>\$138⁶⁰</p>	

**Handing required.
Key codes may be specified.
Sets fit standard door thickness of 1 3/4", specify if different.**

Specification Sheet - Door Configuration #3

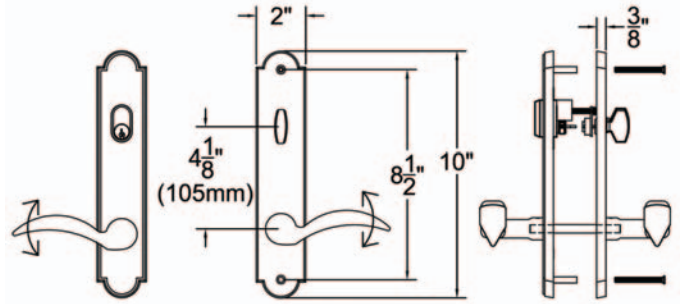
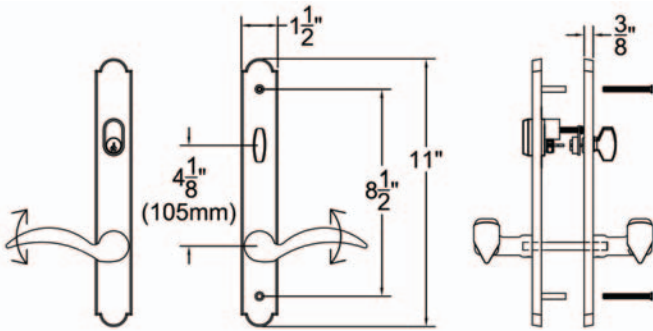
Trim and Cylinders for Multi Point Locks

Swinging Patio Door Hardware - Set includes Plates, Handles and Cylinders (where applicable)

Keyed with American Cylinder (for Active Door, Schlage Keyway, Rekeyable)

1 1/2" x 11" Plates, Product Codes 1311, 1331, 1351, 1371, 1391

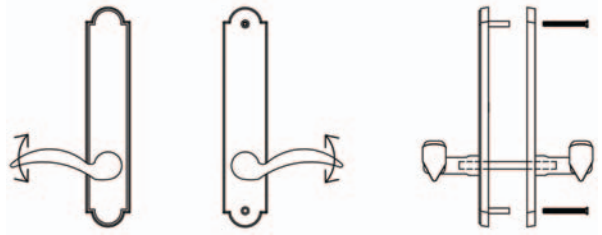
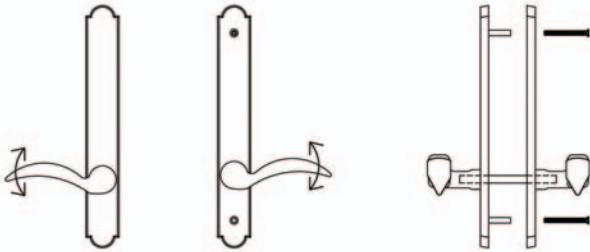
2" x 10" Plates, Product Codes 1321, 1341, 1361, 1381, 1301



Non-Keyed, Passage (for Semi-Active Door)

1 1/2" x 11" Plates, Product Codes 1312, 1332, 1352, 1372, 1392

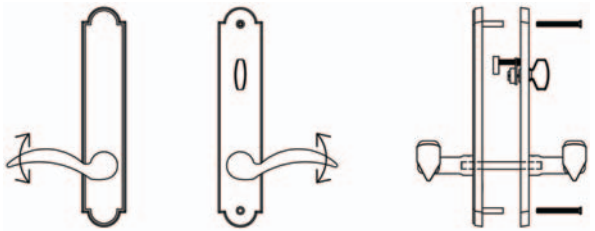
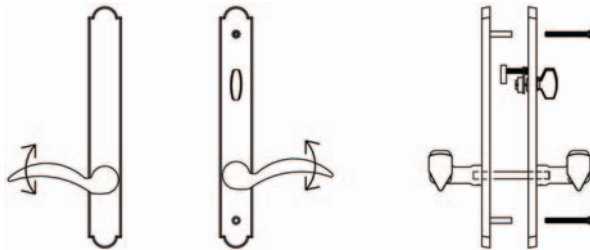
2" x 10" Plates, Product Codes 1322, 1342, 1362, 1382, 1302



Non-Keyed, American Style Thumbturn Inside (for Active Door)

1 1/2" x 11" Plates, Product Codes 1313, 1333, 1353, 1373, 1393

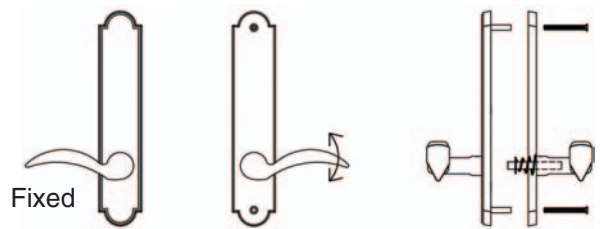
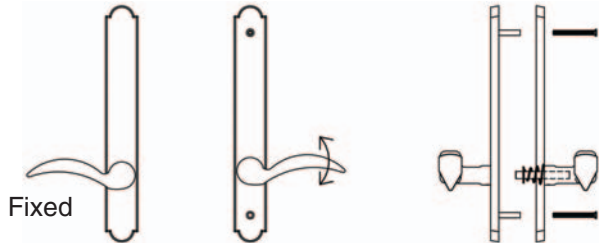
2" x 10" Plates, Product Codes 1323, 1343, 1363, 1383, 1303



Non-Keyed, Fixed Handle Outside, Operating Handle Inside (for Semi-Active Door)

1 1/2" x 11" Plates, Product Codes 1314, 1334, 1354, 1374, 1394

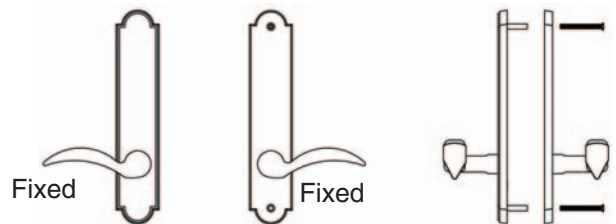
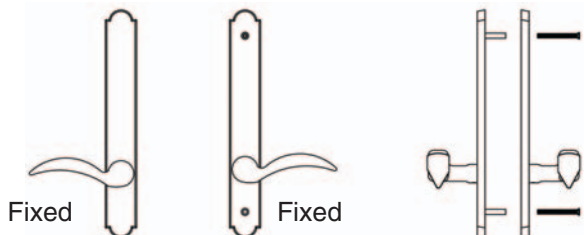
2" x 10" Plates, Product Codes 1324, 1344, 1364, 1384, 1304



Dummy Pair (for Non-Active Door)

1 1/2" x 11" Plates, Product Codes 1315, 1335, 1355, 1375, 1395

2" x 10" Plates, Product Codes 1325, 1345, 1365, 1385, 1305

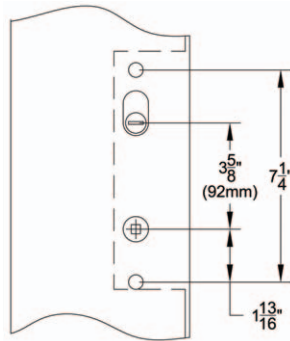
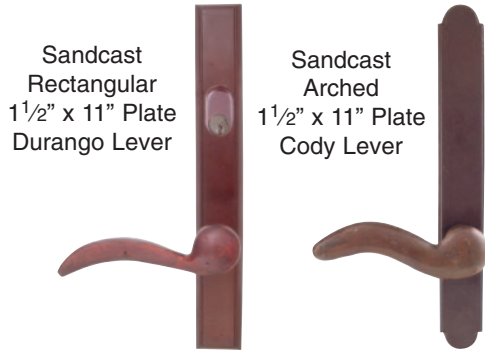


Sandcast Bronze Trim and Cylinders for Multi Point Locks

Swinging Patio Door Hardware - Set includes Plates, Handles and Cylinders (where applicable)

Door Configuration #4

Ashland®, Caradco®, Milgard®, PGT®, Marvin® Jeldwen® Custom Collection (formerly Pozzi®)(2"x10" plates only)



See Configuration #1 for Marvin Integrity® Doors



Sandcast Bronze Arched Plates

Sets with 1 1/2" x 11" Plates

- Keyed with American Cylinder (Schlage® keyway, rekeyable) **1411**
- Non-Keyed, Passage **1412**
- Non-Keyed, American Style Thumbturn Inside **1413**
- Non-Keyed, Fixed Handle Outside, Operating Handle Inside **1414**
- Dummy Pair **1415**

Sets with 2" x 10" Plates

- Keyed with American Cylinder (Schlage® keyway, rekeyable) **1421**
- Non-Keyed, Passage **1422**
- Non-Keyed, American Style Thumbturn Inside **1423**
- Non-Keyed, Fixed Handle Outside, Operating Handle Inside **1424**
- Dummy Pair **1425**

Sandcast Bronze Rectangular Plates

Sets with 1 1/2" x 11" Plates

- Keyed with American Cylinder (Schlage® keyway, rekeyable) **1451**
- Non-Keyed, Passage **1452**
- Non-Keyed, American Style Thumbturn Inside **1453**
- Non-Keyed, Fixed Handle Outside, Operating Handle Inside **1454**
- Dummy Pair **1455**

Sets with 2" x 10" Plates

- Keyed with American Cylinder (Schlage® keyway, rekeyable) **1461**
- Non-Keyed, Passage **1462**
- Non-Keyed, American Style Thumbturn Inside **1463**
- Non-Keyed, Fixed Handle Outside, Operating Handle Inside **1464**
- Dummy Pair **1465**

Product Code

Specify Lever Style And Handing

Finish

List Price

Durango Cody or Teton Lever (LH/RH)

Deep Burgundy (DB)
Medium Bronze (MB)
Silver Patina (SP)
Flat Black (FB)

\$138⁶⁰

Handing required.
Key codes may be specified.
Sets fit standard door thickness of 1 3/4", specify if different.

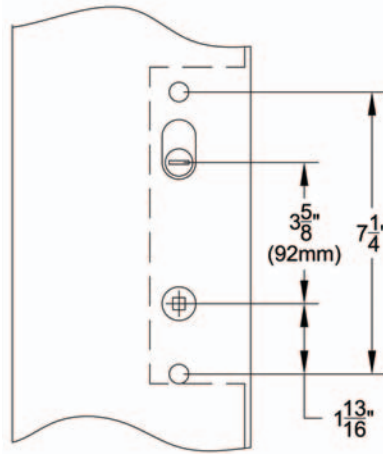
Lost Wax Cast Bronze Trim and Cylinders for Multi Point Locks

Swinging Patio Door Hardware - Set includes Plates, Handles and Cylinders (where applicable)

Door Configuration #4

Ashland®, Caradco®, Milgard®, PGT®, Marvin®, Jeldwen® Custom Collection (formerly Pozzi®)(2"x10" plates only)

(2"x10" plates only) See Configuration #1 for Marvin Integrity® Doors



Lost Wax Cast Bronze Plates

	Product Code	Specify Lever Style And Handing	Finish	List Price
Sets with 1 1/2" x 11" Plates				
• Keyed with American Cylinder (Schlage® keyway, rekeyable)	1431	Medici Napoli Octagon Padua or Art Nouveau Lever (LH/RH)	Deep Burgundy (DB) Medium Bronze(MB) Silver Patina (SP) Flat Black (FB)	\$138⁶⁰
• Non-Keyed, Passage	1432			
• Non-Keyed, American Style Thumbturn Inside	1433			
• Non-Keyed, Fixed Handle Outside, Operating Handle Inside	1434			
• Dummy Pair	1435			
Sets with 2" x 10" Plates				
• Keyed with American Cylinder (Schlage® keyway, rekeyable)	1441			
• Non-Keyed, Passage	1442			
• Non-Keyed, American Style Thumbturn Inside	1443			
• Non-Keyed, Fixed Handle Outside, Operating Handle Inside	1444			
• Dummy Pair	1445			

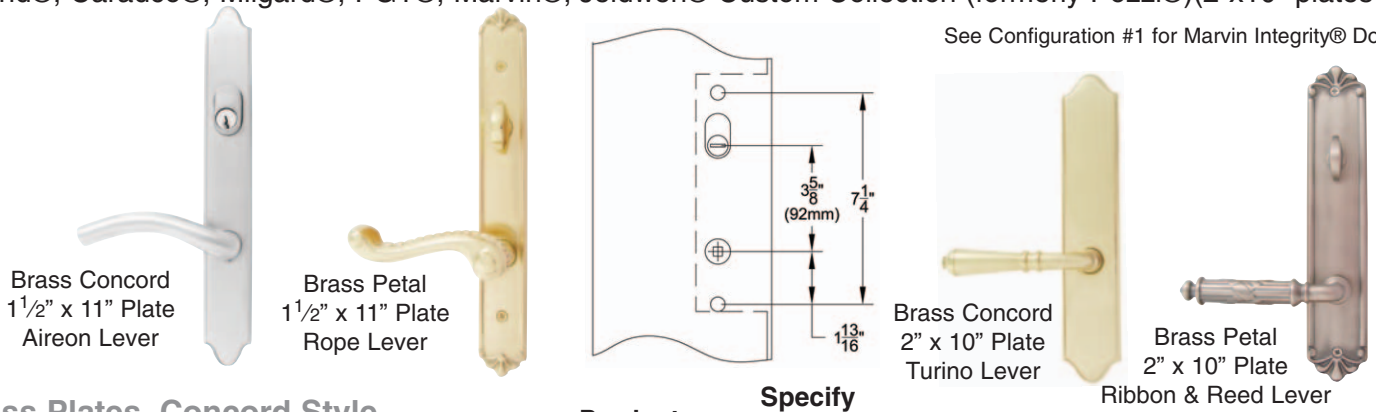
**Handing required.
Key codes may be specified.
Sets fit standard door thickness of 1 3/4", specify if different.**

Brass Trim and Cylinders for Multi Point Locks

Swinging Patio Door Hardware - Set includes Plates, Handles and Cylinders (where applicable)

Door Configuration #4

Ashland®, Caradco®, Milgard®, PGT®, Marvin®, Jeldwen® Custom Collection (formerly Pozzi®)(2"x10" plates only)



Brass Plates, Concord Style

Sets with 1 1/2" x 11" Plates

- Keyed with American Cylinder _____ **1471**
- (Schlage® keyway, rekeyable)
- Non-Keyed, Passage _____ **1472**
- Non-Keyed, American Style _____ **1473**
- Thumbturn Inside
- Non-Keyed, Fixed Handle Outside, _____ **1474**
- Operating Handle Inside
- Dummy Pair _____ **1475**

Sets with 2" x 10" Plates

- Keyed with American Cylinder _____ **1481**
- (Schlage® keyway, rekeyable)
- Non-Keyed, Passage _____ **1482**
- Non-Keyed, American Style _____ **1483**
- Thumbturn Inside
- Non-Keyed, Fixed Handle Outside, _____ **1484**
- Operating Handle Inside
- Dummy Pair _____ **1485**

Brass Plates, Petal Style

Sets with 1 1/2" x 11" Plates

- Keyed with American Cylinder _____ **1491**
- (Schlage® keyway, rekeyable)
- Non-Keyed, Passage _____ **1492**
- Non-Keyed, American Style _____ **1493**
- Thumbturn Inside
- Non-Keyed, Fixed Handle Outside, _____ **1494**
- Operating Handle Inside
- Dummy Pair _____ **1495**

Sets with 2" x 10" Plates

- Keyed with American Cylinder _____ **1401**
- (Schlage® keyway, rekeyable)
- Non-Keyed, Passage _____ **1402**
- Non-Keyed, American Style _____ **1403**
- Thumbturn Inside
- Non-Keyed, Fixed Handle Outside, _____ **1404**
- Operating Handle Inside
- Dummy Pair _____ **1405**

Product Code	Specify Lever Style And Handing	Finish	List Price
1471	Aireon Cortina Elan Brass Lafayette Milano Ribbon & Reed Rope Rustic Turino Santa Fe or Wembley Lever (LH/RH)	French Antique (US7) Oil Rubbed Bronze (US10B) Satin Nickel (US15) Pewter (US15A) or PVD-Lifetime	\$138⁶⁰
1472			
1473			
1474			
1475			
1481			
1482			
1483			
1484			
1485			
1491			
1492			
1493			
1494			
1495			
1401			
1402			
1403			
1404			
1405			

Handing required.
Key codes may be specified.
Sets fit standard door thickness of 1 3/4", specify if different.

Specification Sheet - Door Configuration #4

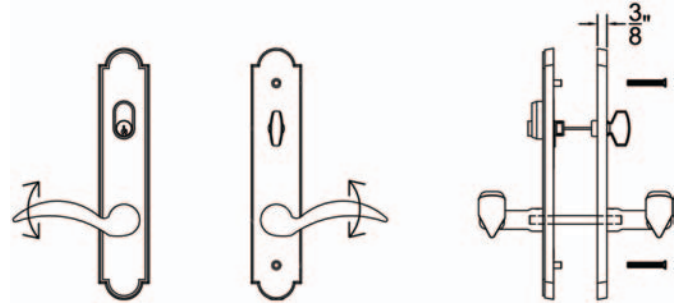
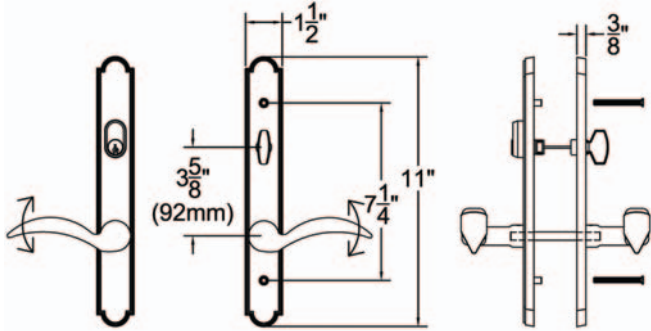
Trim and Cylinders for Multi Point Locks

Swinging Patio Door Hardware - Set includes Plates, Handles and Cylinders (where applicable)
 Ashland®, Caradco®, Milgard®, Marvin®, PGT®, Jeldwen® Custom Collection (formerly Pozzi®)

Keyed with American Cylinder (for Active Door, Schlage Keyway, Rekeyable)

1 1/2" x 11" Plates, Product Codes 1411, 1431, 1451, 1471, 1491

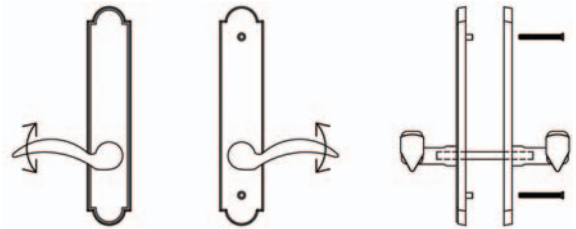
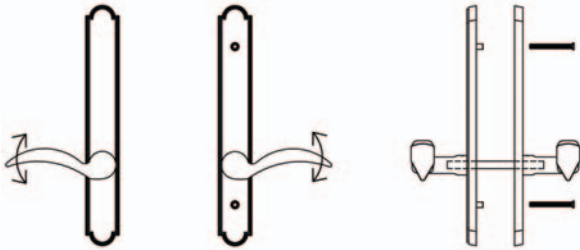
2" x 10" Plates, Product Codes 1421, 1441, 1461, 1481, 1401



Non-Keyed, Passage (for Semi-Active Door)

1 1/2" x 11" Plates, Product Codes 1412, 1432, 1452, 1472, 1492

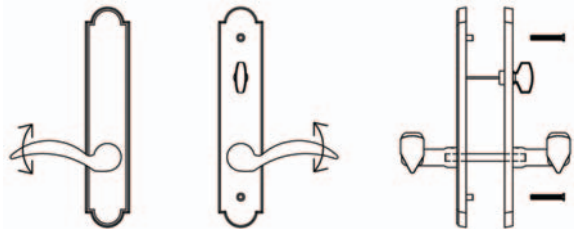
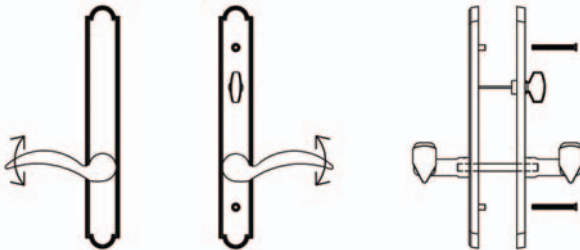
2" x 10" Plates, Product Codes 1422, 1442, 1462, 1482, 1402



Non-Keyed, American Style Thumbturn Inside (for Active Door)

1 1/2" x 11" Plates, Product Codes 1413, 1433, 1453, 1473, 1493

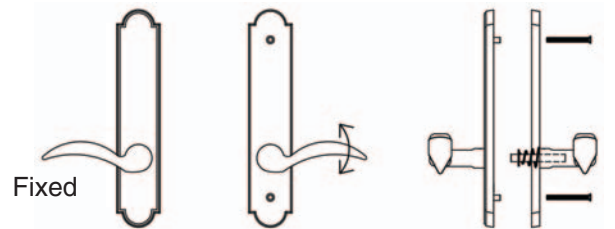
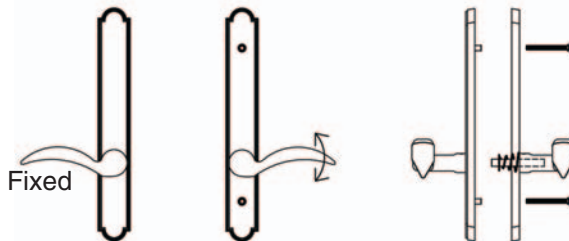
2" x 10" Plates, Product Codes 1423, 1443, 1463, 1483, 1403



Non-Keyed, Fixed Handle Outside, Operating Handle Inside (for Semi-Active Door)

1 1/2" x 11" Plates, Product Codes 1414, 1434, 1454, 1474, 1494

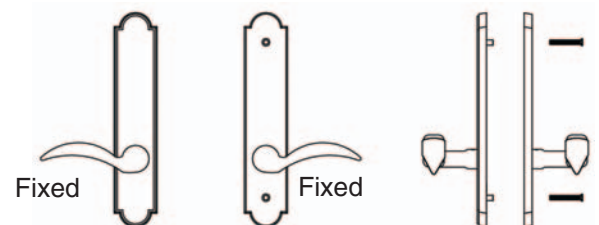
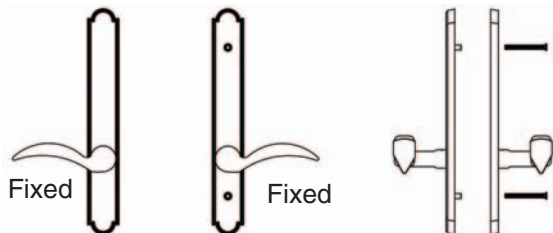
2" x 10" Plates, Product Codes 1424, 1444, 1464, 1484, 1404



Dummy Pair (for Non-Active Door)

1 1/2" x 11" Plates, Product Codes 1415, 1435, 1455, 1475, 1495

2" x 10" Plates, Product Codes 1425, 1445, 1465, 1485, 1405

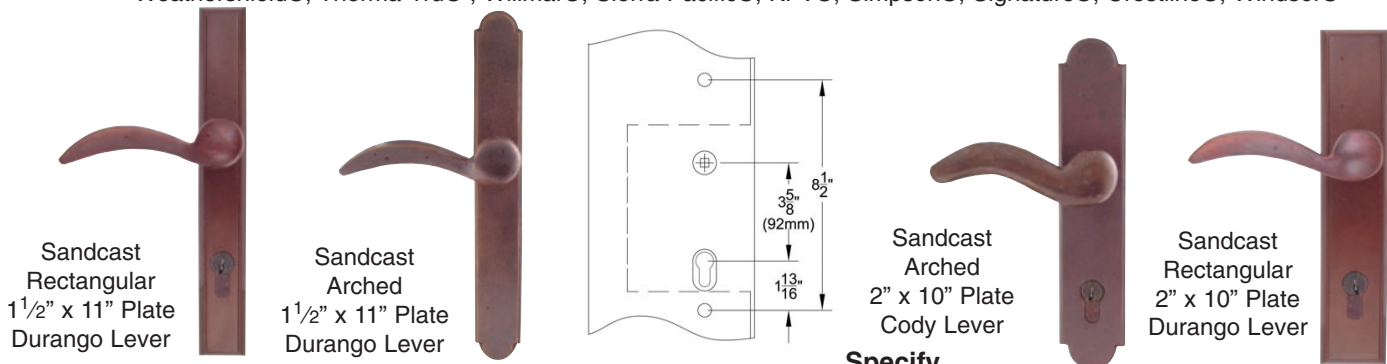


Sandcast Bronze Trim and Cylinders for Multi Point Locks

Swinging Patio Door Hardware - Set includes Plates, Handles and Cylinders (where applicable)

Door Configuration #5

Hoppe®, Hurd®, JELD-WEN®, Kolbe & Kolbe®, Lincoln®, Loewen®, Peachtree®, Premium Collection (formerly Norco®), Semco®, Vetter®, Weathershield®, Therma-Tru®, Willmar®, Sierra Pacific®, KfV®, Simpson®, Signature®, Crestline®, Windsor®



Sandcast Bronze Arched Plates

Sets with 1 1/2" x 11" Plates

- Keyed with Euro Profile Cylinder (Schlage® keyway, rekeyable) — **1511**
- Non-Keyed, Passage — **1512**
- Non-Keyed, Euro Profile Style Thumbturn Inside — **1513**
- Non-Keyed, Fixed Handle Outside, Operating Handle Inside — **1514**
- Dummy Pair — **1515**

Sets with 2" x 10" Plates

- Keyed with Euro Profile Cylinder (Schlage® keyway, rekeyable) — **1521**
- Non-Keyed, Passage — **1522**
- Non-Keyed, Euro Profile Style Thumbturn Inside — **1523**
- Non-Keyed, Fixed Handle Outside, Operating Handle Inside — **1524**
- Dummy Pair — **1525**

Sandcast Bronze Rectangular Plates

Sets with 1 1/2" x 11" Plates

- Keyed with Euro Profile Cylinder (Schlage® keyway, rekeyable) — **1551**
- Non-Keyed, Passage — **1552**
- Non-Keyed, Euro Profile Style Thumbturn Inside — **1553**
- Non-Keyed, Fixed Handle Outside, Operating Handle Inside — **1554**
- Dummy Pair — **1555**

Sets with 2" x 10" Plates

- Keyed with Euro Profile Cylinder (Schlage® keyway, rekeyable) — **1561**
- Non-Keyed, Passage — **1562**
- Non-Keyed, Euro Profile Style Thumbturn Inside — **1563**
- Non-Keyed, Fixed Handle Outside, Operating Handle Inside — **1564**
- Dummy Pair — **1565**

Product Code

Specify Lever Style And Handing

Finish

List Price

Durango Cody or Teton Lever (LH/RH)

Deep Burgundy (DB)
Medium Bronze (MB)
Silver Patina (SP)
Flat Black (FB)

\$138⁶⁰

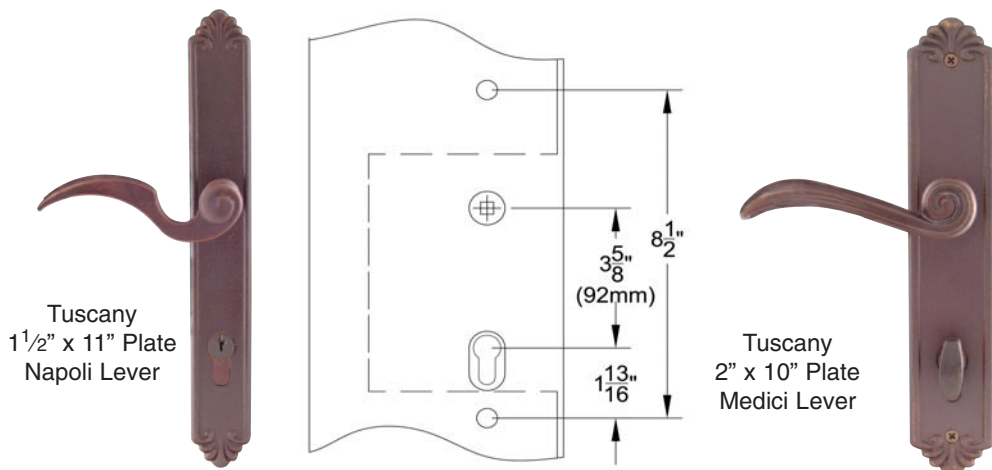
Handing required.
Key codes may be specified.
Sets fit standard door thickness of 1 3/4", specify if different.

Lost Wax Cast Bronze Trim and Cylinders for Multi Point Locks

Swinging Patio Door Hardware - Set includes Plates, Handles and Cylinders (where applicable)

Door Configuration #5

Hoppe®, Hurd®, JELD-WEN®, Kolbe & Kolbe®, Lincoln®, Loewen®, Peachtree®, Premium Collection (formerly Norco®), Semco®, Vetter®, Weathershield®, Therma-Tru®, Willmar®, Sierra Pacific®, KfV®, Simpson®, Signature®, Crestline®, Windsor®



Lost Wax Cast Bronze Plates

	Product Code	Specify Lever Style And Handing	Finish	List Price
Sets with 1 1/2" x 11" Plates				
• Keyed with Euro Profile Cylinder (Schlage® keyway, rekeyable)	1531	Medici Napoli Octagon Padua or Art Nouveau Lever (LH/RH)	Deep Burgundy (DB) Medium Bronze (MB) Silver Patina (SP) Flat Black (FB)	\$138 ⁶⁰
• Non-Keyed, Passage	1532			
• Non-Keyed, Euro Profile Style Thumbturn Inside	1533			
• Non-Keyed, Fixed Handle Outside, Operating Handle Inside	1534			
• Dummy Pair	1535			
Sets with 2" x 10" Plates				
• Keyed with Euro Profile Cylinder (Schlage® keyway, rekeyable)	1541	Medici Napoli Octagon Padua or Art Nouveau Lever (LH/RH)	Deep Burgundy (DB) Medium Bronze (MB) Silver Patina (SP) Flat Black (FB)	\$138 ⁶⁰
• Non-Keyed, Passage	1542			
• Non-Keyed, Euro Profile Style Thumbturn Inside	1543			
• Non-Keyed, Fixed Handle Outside, Operating Handle Inside	1544			
• Dummy Pair	1545			

Handing required.
Key codes may be specified.
Sets fit standard door thickness of 1 3/4", specify if different.

Specification Sheet - Door Configuration #5 Trim and Cylinders for Multi Point Locks

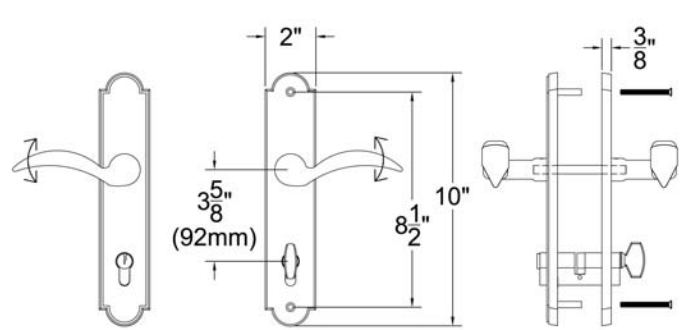
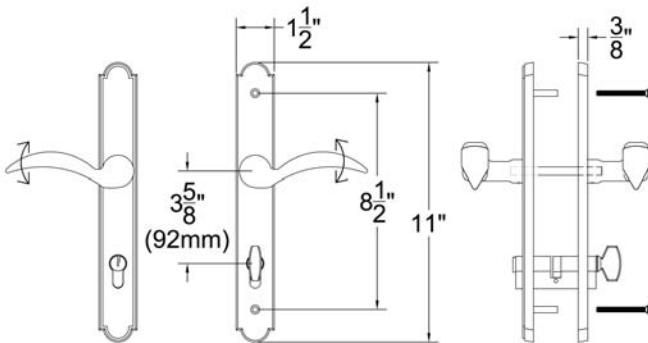
Swinging Patio Door Hardware - Set includes Plates, Handles and Cylinders (where applicable)

Hoppe®, Hurd®, JELD-WEN®, Kolbe & Kolbe®, Lincoln®, Loewen®, Peachtree®, Premium Collection (formerly Norco®), Semco®, Vetter®, Weathershield®, Therma-Tru®, Willmar®, Sierra Pacific®, KfV®, Simpson®, Signature®, Crestline®, Windsor®

Keyed with Euro Profile Cylinder (for Active Door, Schlage Keyway, Rekeyable)

1 1/2" x 11" Plates, Product Codes 1511, 1531, 1551, 1571, 1591

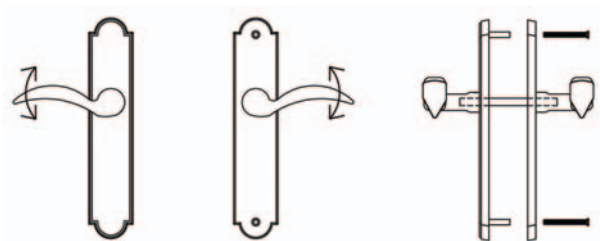
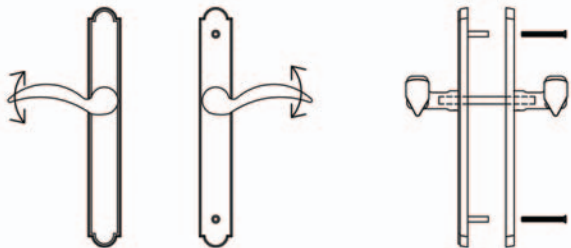
2" x 10" Plates, Product Codes 1521, 1541, 1561, 1581, 1501



Non-Keyed, Passage (for Semi-Active Door)

1 1/2" x 11" Plates, Product Codes 1512, 1532, 1552, 1572, 1592

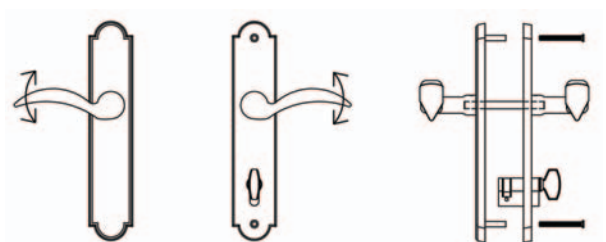
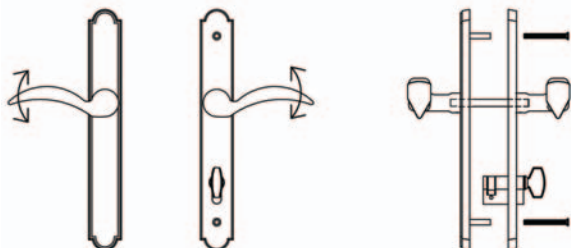
2" x 10" Plates, Product Codes 1522, 1542, 1562, 1582, 1502



Non-Keyed, Euro Profile Style Thumbturn Inside (for Active Door)

1 1/2" x 11" Plates, Product Codes 1513, 1533, 1553, 1573, 1593

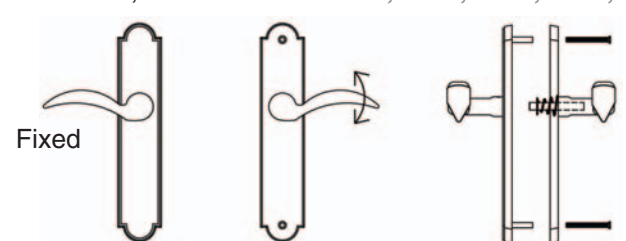
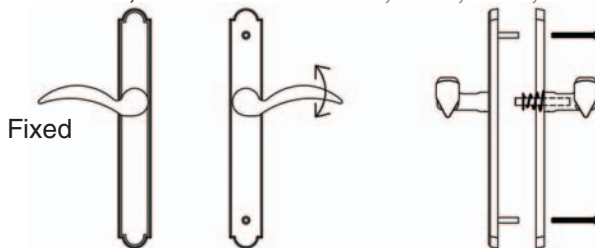
2" x 10" Plates, Product Codes 1523, 1543, 1563, 1583, 1503



Non-Keyed, Fixed Handle Outside, Operating Handle Inside (for Semi-Active Door)

1 1/2" x 11" Plates, Product Codes 1514, 1534, 1554, 1574, 1594

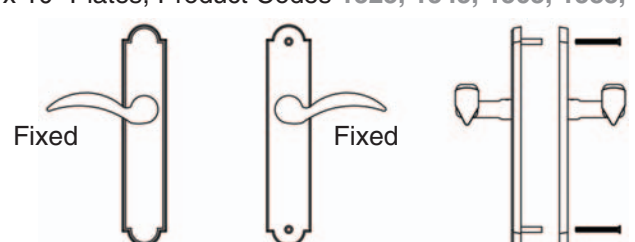
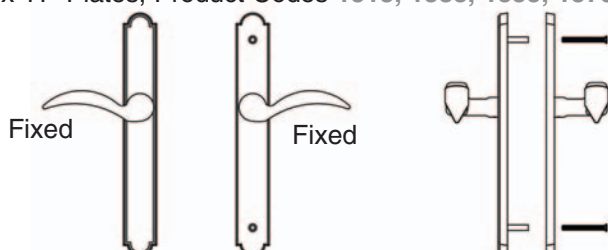
2" x 10" Plates, Product Codes 1524, 1544, 1564, 1584, 1504



Dummy Pair (for Non-Active Door)

1 1/2" x 11" Plates, Product Codes 1515, 1535, 1555, 1575, 1595

2" x 10" Plates, Product Codes 1525, 1545, 1565, 1585, 1505

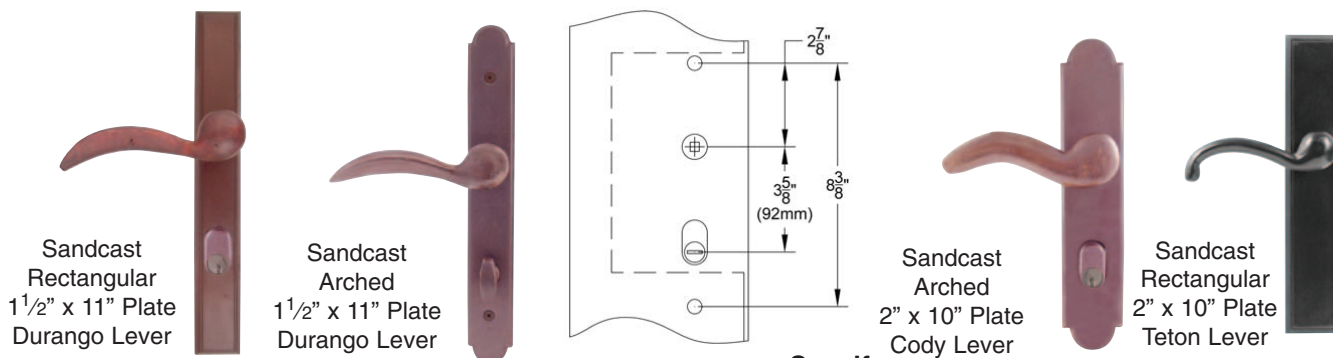


Sandcast Bronze Trim and Cylinders for Multi Point Locks

Swinging Patio Door Hardware - Set includes Plates, Handles and Cylinders (where applicable)

Door Configuration #6

Pella®



Sandcast Bronze Arched Plates

Sets with 1 1/2" x 11" Plates

- Keyed with American Cylinder (Schlage® keyway, rekeyable) _____
- Non-Keyed, Passage _____
- Non-Keyed, American Style Thumbturn Inside _____
- Non-Keyed, Fixed Handle Outside, Operating Handle Inside _____
- Dummy Pair _____

Sets with 2" x 10" Plates

- Keyed with American Cylinder (Schlage® keyway, rekeyable) _____
- Non-Keyed, Passage _____
- Non-Keyed, American Style Thumbturn Inside _____
- Non-Keyed, Fixed Handle Outside, Operating Handle Inside _____
- Dummy Pair _____

Sandcast Bronze Rectangular Plates

Sets with 1 1/2" x 11" Plates

- Keyed with American Cylinder (Schlage® keyway, rekeyable) _____
- Non-Keyed, Passage _____
- Non-Keyed, American Style Thumbturn Inside _____
- Non-Keyed, Fixed Handle Outside, Operating Handle Inside _____
- Dummy Pair _____

Sets with 2" x 10" Plates

- Keyed with American Cylinder (Schlage® keyway, rekeyable) _____
- Non-Keyed, Passage _____
- Non-Keyed, American Style Thumbturn Inside _____
- Non-Keyed, Fixed Handle Outside, Operating Handle Inside _____
- Dummy Pair _____

Product Code

Specify Lever Style And Handing

Finish

List Price

_____	1611	Durango Cody or Teton Lever (LH/RH)	Deep Burgundy (DB) Medium Bronze(MB) Silver Patina (SP) Flat Black (FB)	\$138 ⁶⁰
_____	1612			
_____	1613			
_____	1614			
_____	1615			
_____	1621			
_____	1622			
_____	1623			
_____	1624			
_____	1625			
_____	1651			
_____	1652			
_____	1653			
_____	1654			
_____	1655			
_____	1661			
_____	1662			
_____	1663			
_____	1664			
_____	1665			

Handing required.
Key codes may be specified.
Sets fit standard door thickness of 1 3/4", specify if different.

Lost Wax Cast Bronze Trim and Cylinders for Multi Point Locks

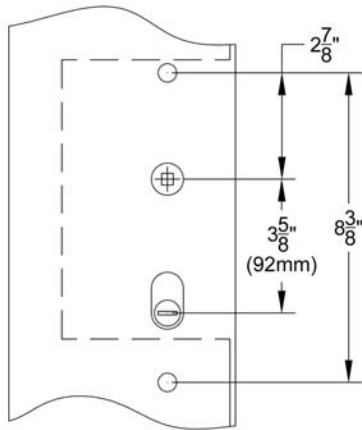
Swinging Patio Door Hardware - Set includes Plates, Handles and Cylinders (where applicable)

Door Configuration #6

Pella®



Tuscany
1 1/2" x 11" Plate
Napoli Lever



Tuscany
2" x 10" Plate
Medici Lever



Tuscany
2" x 10" Plate
Octagon Lever

Lost Wax Cast Bronze Plates

	Product Code	Specify Lever Style And Handing	Finish	List Price
Sets with 1 1/2" x 11" Plates				
• Keyed with American Cylinder (Schlage® keyway, rekeyable)	1631	Medici Napoli Octagon Padua or Art Nouveau Lever (LH/RH)	Deep Burgundy (DB) Medium Bronze (MB) Silver Patina (SP) Flat Black (FB)	\$138 ⁶⁰
• Non-Keyed, Passage	1632			
• Non-Keyed, American Style Thumbturn Inside	1633			
• Non-Keyed, Fixed Handle Outside, Operating Handle Inside	1634			
• Dummy Pair	1635			
Sets with 2" x 10" Plates				
• Keyed with American Cylinder (Schlage® keyway, rekeyable)	1641	Medici Napoli Octagon Padua or Art Nouveau Lever (LH/RH)	Deep Burgundy (DB) Medium Bronze (MB) Silver Patina (SP) Flat Black (FB)	\$138 ⁶⁰
• Non-Keyed, Passage	1642			
• Non-Keyed, American Style Thumbturn Inside	1643			
• Non-Keyed, Fixed Handle Outside, Operating Handle Inside	1644			
• Dummy Pair	1645			

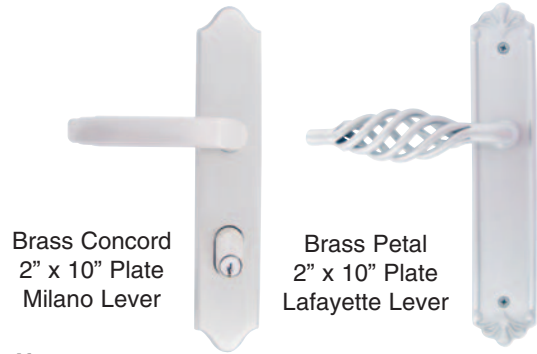
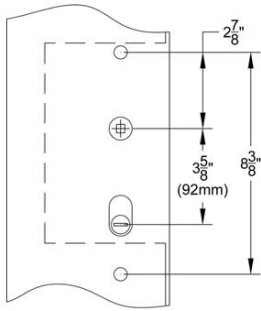
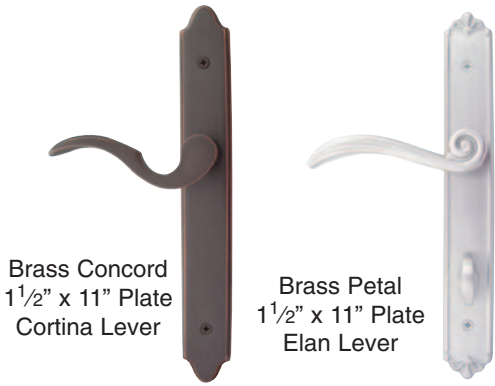
Handing required.
Key codes may be specified.
Sets fit standard door thickness of 1 3/4", specify if different.

Brass Trim and Cylinders for Multi Point Locks

Swinging Patio Door Hardware - Set includes Plates, Handles and Cylinders (where applicable)

Door Configuration #6

Pella®



Brass Plates, Concord Style

Sets with 1 1/2" x 11" Plates

- Keyed with American Cylinder _____ **1671**
- (Schlage® keyway, rekeyable)
- Non-Keyed, Passage _____ **1672**
- Non-Keyed, American Style _____ **1673**
- Thumbturn Inside
- Non-Keyed, Fixed Handle Outside, _____ **1674**
- Operating Handle Inside
- Dummy Pair _____ **1675**

Sets with 2" x 10" Plates

- Keyed with American Cylinder _____ **1681**
- (Schlage® keyway, rekeyable)
- Non-Keyed, Passage _____ **1682**
- Non-Keyed, American Style _____ **1683**
- Thumbturn Inside
- Non-Keyed, Fixed Handle Outside, _____ **1684**
- Operating Handle Inside
- Dummy Pair _____ **1685**

Brass Plates, Petal Style

Sets with 1 1/2" x 11" Plates

- Keyed with American Cylinder _____ **1691**
- (Schlage® keyway, rekeyable)
- Non-Keyed, Passage _____ **1692**
- Non-Keyed, American Style _____ **1693**
- Thumbturn Inside
- Non-Keyed, Fixed Handle Outside, _____ **1694**
- Operating Handle Inside
- Dummy Pair _____ **1695**

Sets with 2" x 10" Plates

- Keyed with American Cylinder _____ **1601**
- (Schlage® keyway, rekeyable)
- Non-Keyed, Passage _____ **1602**
- Non-Keyed, American Style _____ **1603**
- Thumbturn Inside
- Non-Keyed, Fixed Handle Outside, _____ **1604**
- Operating Handle Inside
- Dummy Pair _____ **1605**

Product Code	Specify Lever Style And Handing	Finish	List Price
--------------	---------------------------------	--------	------------

1671			
1672			
1673			
1674			
1675			
1681			
1682			
1683			
1684			
1685			
	Aireon		
	Cortina		
	Elan		
	Brass Lafayette	French Antique (US7)	
	Milano	Oil Rubbed Bronze (US10B)	
	Ribbon & Reed	Satin Nickel (US15)	
	Rope	Pewter (US15A)	
	Rustic	or	
	Turino	PVD-Lifetime	
	Santa Fe		
	or		
	Wembley		
	Lever		
	(LH/RH)		
			\$138⁶⁰

Handing required.
Key codes may be specified.
Sets fit standard door thickness of 1 3/4", specify if different.

Specification Sheet - Door Configuration #6 Trim and Cylinders for Multi Point Locks

Swinging Patio Door Hardware - Set includes Plates, Handles and Cylinders (where applicable)

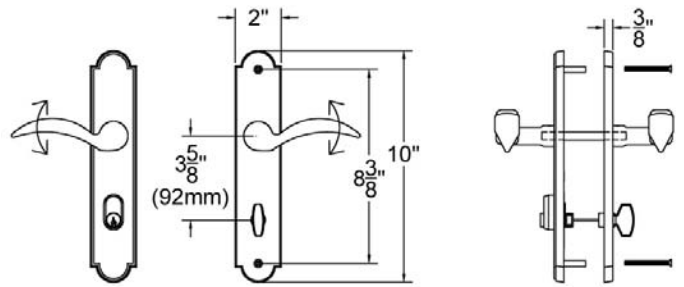
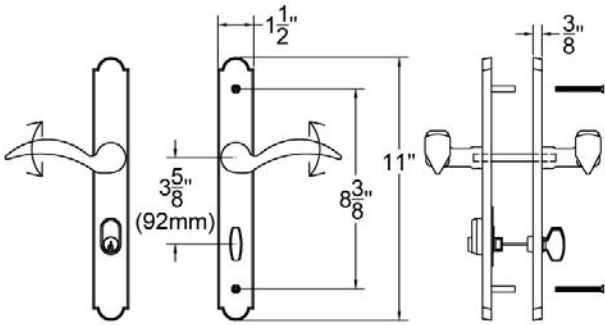
Door Configuration #6

Pella®

Keyed with American Cylinder (for Active Door, Schlage Keyway, Rekeyable)

1 1/2" x 11" Plates, Product Codes 1611, 1631, 1651, 1671, 1691

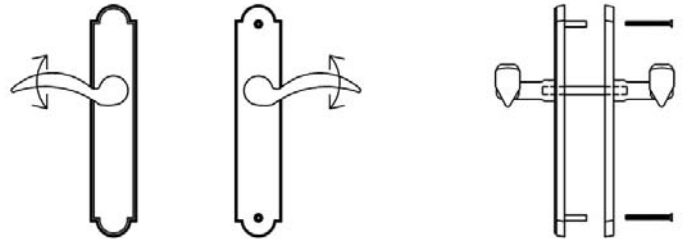
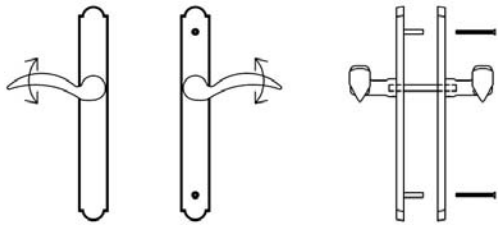
2" x 10" Plates, Product Codes 1621, 1641, 1661, 1681, 1601



Non-Keyed, Passage (for Semi-Active Door)

1 1/2" x 11" Plates, Product Codes 1612, 1632, 1652, 1672, 1692

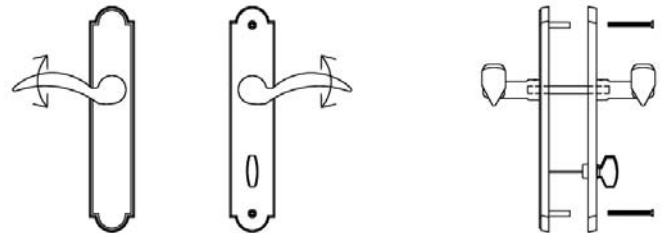
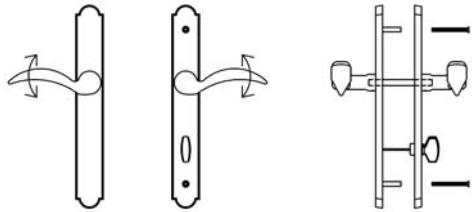
2" x 10" Plates, Product Codes 1622, 1642, 1662, 1682, 1602



Non-Keyed, American Style Thumbturn Inside (for Active Door)

1 1/2" x 11" Plates, Product Codes 1613, 1633, 1653, 1673, 1693

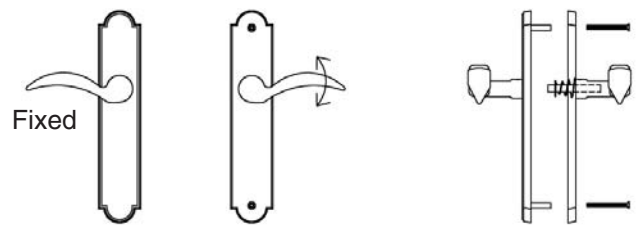
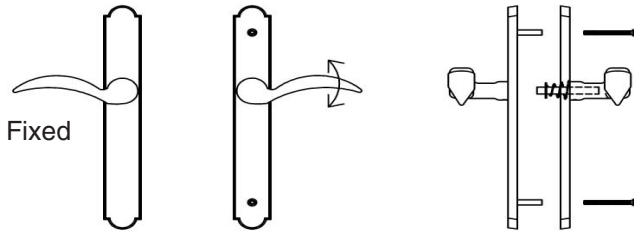
2" x 10" Plates, Product Codes 1623, 1643, 1663, 1683, 1603



Non-Keyed, Fixed Handle Outside, Operating Handle Inside (for Semi-Active Door)

1 1/2" x 11" Plates, Product Codes 1614, 1634, 1654, 1674, 1694

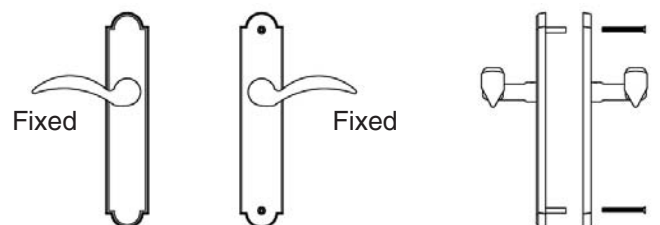
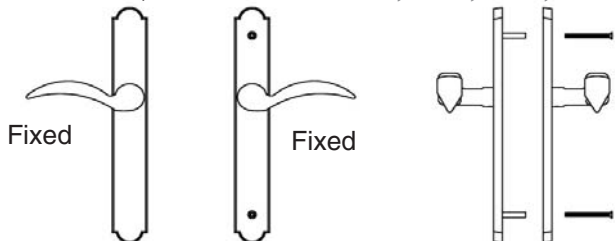
2" x 10" Plates, Product Codes 1624, 1644, 1664, 1684, 1604



Dummy Pair (for Non-Active Door)

1 1/2" x 11" Plates, Product Codes 1615, 1635, 1655, 1675, 1695

2" x 10" Plates, Product Codes 1625, 1645, 1665, 1685, 1605



Sandcast Bronze Trim and Cylinders for Multi Point Locks

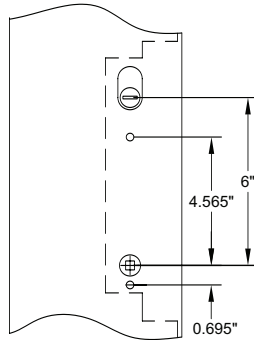
Swinging Patio Door Hardware - Set includes Plates, Handles and Cylinders (where applicable)

Door Configuration #7

W&F Manufacturing®



Sandcast Arched
2" x 10" Plate
Durango Lever



Sandcast Rectangular
2" x 10" Plate
Teton Lever

Product Code	Specify Lever Style And Handing	Finish	List Price
Sandcast Bronze Arched Plates			
Sets with 2" x 10" Plates			
• Keyed with American Cylinder (Schlage® Keyway, rekeyable) ————— 1721	Durango Cody or Teton Lever (LH/RH)	Deep Burgundy (DB) Medium Bronze(MB) Silver Patina (SP) Flat Black (FB)	\$138⁶⁰
• Non-Keyed, American Style T-turn Inside (Patio Function) ————— 1723			
• Dummy Pair ————— 1725			
• Non-Keyed, American Style T-turn Inside, Fixed Handles ————— 1726			
Sandcast Bronze Rectangular Plates			
Sets with 2" x 10" Plates			
• Keyed with American Cylinder (Schlage® Keyway, rekeyable) ————— 1761	Durango Cody or Teton Lever (LH/RH)	Deep Burgundy (DB) Medium Bronze(MB) Silver Patina (SP) Flat Black (FB)	\$138⁶⁰
• Non-Keyed, American Style T-turn Inside (Patio Function) ————— 1763			
• Dummy Pair ————— 1765			
• Non-Keyed, American Style T-turn Inside, Fixed Handles ————— 1766			

Handing required.
Key codes may be specified.
Sets fit standard door thickness of 1³/₄", specify if different.

Lost Wax Cast Bronze Trim and Cylinders for Multi Point Locks

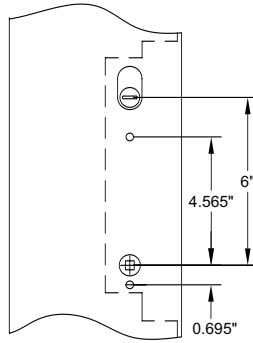
Swinging Patio Door Hardware - Set includes Plates, Handles and Cylinders (where applicable)

Door Configuration #7

W&FManufacturing®



Tuscany
2" x 10" Plate
Medici Lever



Tuscany
2" x 10" Plate
Napoli Lever

Product Code	Specify Lever Style And Handing	Finish	List Price
<ul style="list-style-type: none"> Keyed with American Cylinder (Schlage® Keyway, rekeyable) — 1741 Non-Keyed, American Style T-turn Inside (Patio Function) — 1743 Dummy Pair — 1745 Non-Keyed, American Style T-turn Inside, Fixed Handles — 1746 	<p>Medici Napoli Octagon Padua or Art Nouveau Lever (LH/RH)</p>	<p>Deep Burgundy (DB) Medium Bronze(MB) Silver Patina (SP) Flat Black (FB)</p>	<p>\$138⁶⁰</p>

Lost Wax Cast Bronze Plates

Sets with 2" x 10" Plates

- Keyed with American Cylinder (Schlage® Keyway, rekeyable) — 1741
- Non-Keyed, American Style T-turn Inside (Patio Function) — 1743
- Dummy Pair — 1745
- Non-Keyed, American Style T-turn Inside, Fixed Handles — 1746

Handing required.
Key codes may be specified.
Sets fit standard door thickness of 1³/₄", specify if different.

Specification Sheet - Door Configuration #7
Sandcast Bronze and Lost Wax Cast Bronze Trim and Cylinders for Multi Point Locks

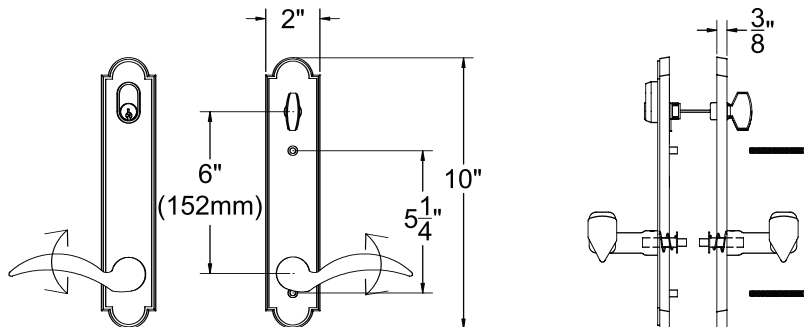
Swinging Patio Door Hardware - Set includes Plates, Handles and Cylinders (where applicable)

Door Configuration #7

W&F Manufacturing®

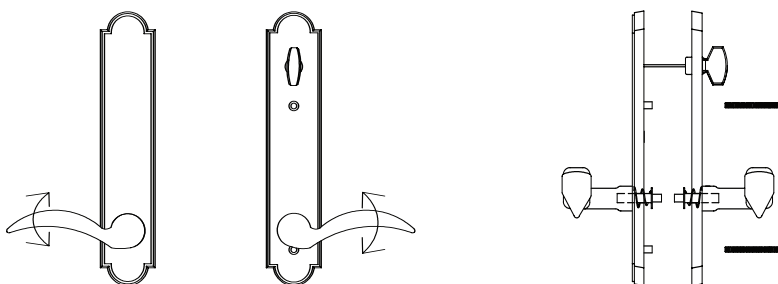
Keyed with American Cylinder (for Active Door, Schlage Keyway, Rekeyable)

2" x 10" Plates, Product Codes 1721, 1741, 1761



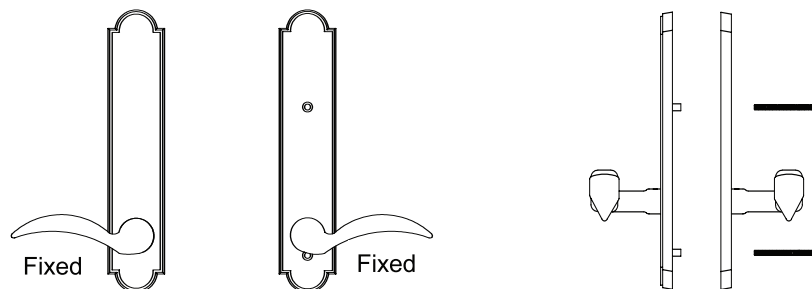
Non-Keyed, American Style T-Turn Inside (Active Door)

2" x 10" Plates, Product Codes 1723, 1743, 1763



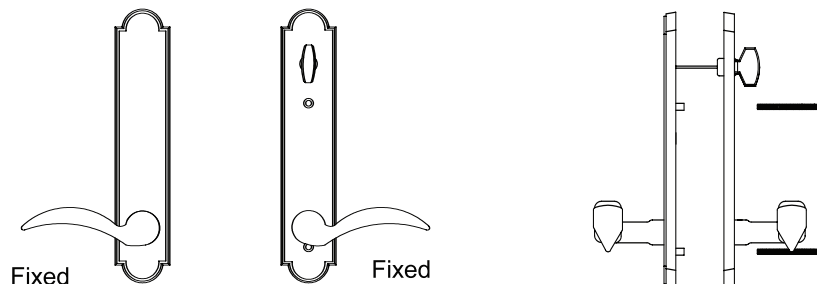
Non-Keyed, American Style Thumbturn Inside (for Active Door)

2" x 10" Plates, Product Codes 1725, 1745, 1765

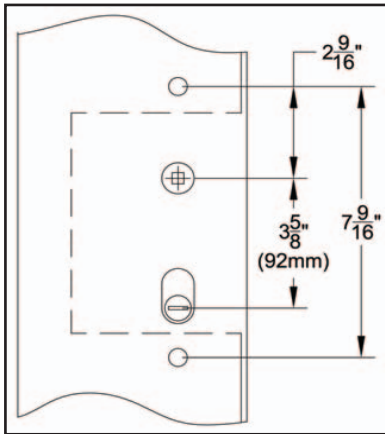


Non-Keyed, Fixed Handles, American Style T-Turn Inside (for Semi-Active Door)

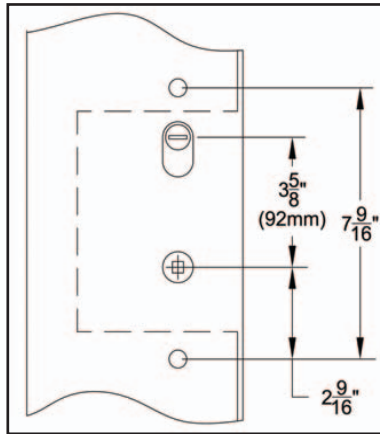
2" x 10" Plates, Product Codes 1726, 1746, 1766



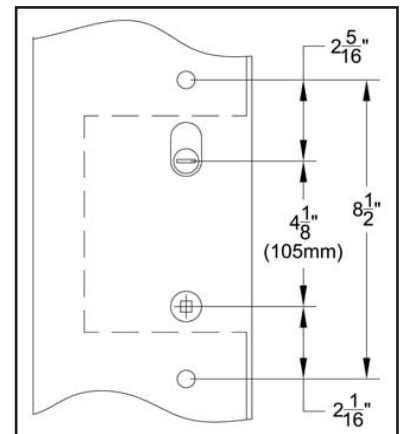
**Choose trimsets for seven door and lock configurations.
Both keyed and non-keyed functions available for each configuration**



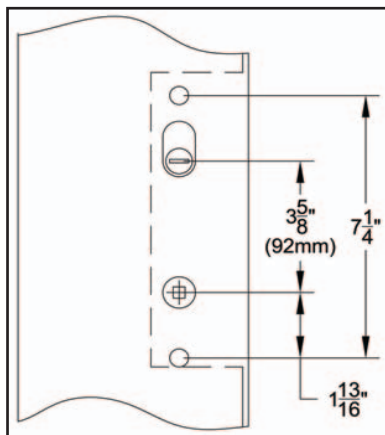
Door Configuration #1
American Cylinder Below Handle
3 5/8" Center to Center



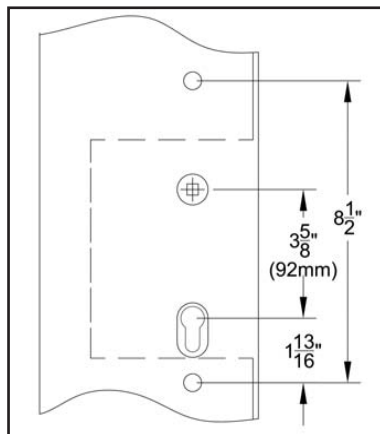
Door Configuration #2
American Cylinder Above Handle
3 5/8" Center to Center



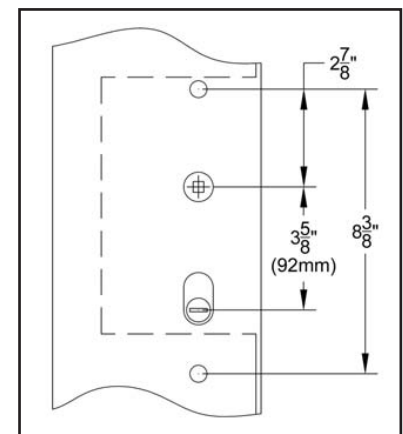
Door Configuration #3
American Cylinder Above Handle
4 1/8" Center to Center



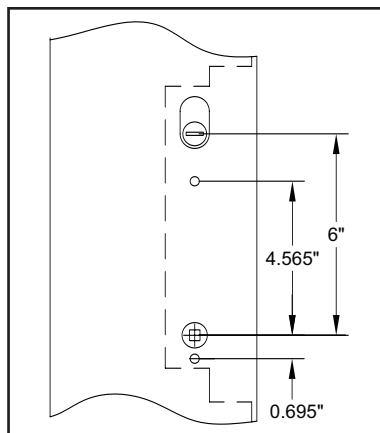
Door Configuration #4
American Cylinder Above Handle
3 5/8" Center to Center



Door Configuration #5
Euro Profile Cylinder Below Handle
3 5/8" Center to Center



Door Configuration #6
American Cylinder Below Handle
3 5/8" Center to Center



Door Configuration #7
American Cylinder Hub Above Handle
6" Center to Center

LIMITED WARRANTY

Emtek Products, Inc. (the "Company") warrants to the original purchaser, the products manufactured by it (the "Products") are free of defects in material and workmanship, provided:

1. the Company has been notified within five years of purchase date and been given the opportunity of inspection by return of any alleged defective Products to the Company, free and clear of all liens and encumbrances, transportation prepaid, accompanied by a statement of defects and proof of purchase; and
2. the Product has not been modified, abused, misused or improperly installed, maintained and/or repaired during such period; and

There is no warranty on Deep Burgundy, Medium Bronze, Silver Patina and Flat Black finishes.

The Company shall, at its options, either repair or replace, free of charge, any Products or part thereof found upon the Company's inspection, to be so defective, or at the Company's sole discretion refund the purchase price, less a reasonable allowance for depreciation, in exchanged for the Product.

The Company makes no other warranty, and all implied warranties including any warranty of merchantability or fitness for a particular purpose are limited to the duration of the expressed warranty period as set forth above.

The Company's maximum liability hereunder is limited to the purchase price of the product. In no event shall the Company be liable for any consequential, indirect, incidental or special damages of any nature arising from the sale or use of the product, whether in contract, tort, strict liability or otherwise.

Notes:

- A. Some states do not allow limitations on incidental consequential damages or how long an implied warranty lasts so that the above limitations may not fully apply.
- B. This warranty gives specific legal rights and a buyer may also have other rights which may vary from state to state.
- C. For warranty service and shipping instructions contact Emtek Products, Inc. at:
15250 E. Stafford Street, City of Industry, CA 91744, (626)961-0413.