

Franklin Brass®

A Liberty Hardware Brand



2010 PRICE GUIDE

DELTA® COORDINATES		BEST VALUE®	
Addison™	5	College Circle™	31-32
Arzo™	6	Centura	32-33
Dryden™	6-7	Ventura	33
Esteem™	7		
Grail®	8	BATH SAFETY	
Lahara™	8-9	Grab Bars	34-37
Lockwood™	9-11	Grab Bars Accessories	37
Leland®	11-12	Assist Bars	37
Pirouette™	12	Tub, Shower and Toilet Safety	38
Silverton®	13		
Southampton	13-14	HOSPITALITY	
Traditional	14-15	Curved Shower Rods	39
Vero	15-16	Shower Rods	39-41
Victorian®	16-19	Recessed Fixtures	41-43
Windemere®	19	Towel Shelves	44-45
		Guest Room	45
		Public Washroom	46-47
FRANKLIN BRASS®		Index	48-51
Astra®	20-21	Terms and Conditions	52
Century™	21-22	Warranty Information	53-55
Crestfield®	22-23		
Futura®	23-25		
Jamestown®	26-28		
Kelsie	28-29		
Palladium™	29		
Providence®	29-30		
Tempra®	30		
Townsend	31		

Liberty Hardware is the ultimate source for bath hardware, bath accessories and bath safety products. Demonstrating leadership in design and service, Liberty Hardware provides meaningful brands including Franklin Brass and Delta Coordinates, with key distribution in retail, hospitality and builder markets. Liberty Hardware has the perfect solution for your bath decor with an extensive range of products. Striving to meet the demands of an ever changing marketplace, Liberty Hardware is transforming the bath experience by combining quality, style and value.

For more information please visit our website at www.libertyhardware.com

NOTE: Prices are subject to change. Please always refer to Tech Data Sheets for measurements. Images in the Price Guide should only be used for reference.

Polished Chrome Finish

on zinc die cast, brass and steel base metals

Base metals made of zinc die cast, brass and steel are highly polished, cleaned, and plated with a layer of bright copper, duplex layers of nickel, and a layer of chromium. The copper and duplex layers of nickel provide durability, corrosion resistance and brightness. The outer chromium layer provides a bright appearance, prevents nickel oxidation and offers abrasion resistance. The combined result is a state of the art durable bright chrome finish that will last for many years.

Polished Brass Finish

on brass base metals

Base metals made of brass are highly polished, cleaned and coated with a highly protective clear acrylic polyurethane. This protective coating is then cured onto the brass at a high temperature. The outer layer of clear acrylic provides a durable corrosion resistant and smooth surface that can be easily cleaned and will last for many years.

Polished Brass Finish

on zinc die cast and steel base metals

Base metals made of zinc die cast and steel are highly polished, cleaned and plated with a layer of bright copper, duplex layers of nickel, a layer of bright brass and protected with a clear acrylic coating that is cured at a high temperature. The copper and duplex layers of nickel provide durability, corrosion resistance and brightness. The bright brass layer provides the rich appearance of brass. The outer layer of clear acrylic provides a durable corrosion resistant and smooth surface that can be easily cleaned and will last for many years.

PVD - Physical Vapor Deposition

Thin film lifetime coating is a state of the art patented vapor process that utilizes vacuum chambers to deposit brass color metal directly onto chrome/nickel plated zinc or stainless steel substrates. PVD coatings offer lifetime superior corrosion resistance that resists scratching with a surface that is as hard as ceramic. PVD finish can withstand years of cleaning and still have a new sparkling finish.

Antique Brass and Pewter Finishes

on zinc die cast and brass base metals

Base metals made of zinc die cast and brass are prepolished, cleaned and then plated with a layer of bright copper, duplex layers of nickel and a layer of black nickel. Parts are then relieved through polishing and protected with a clear acrylic coating that is cured at a high temperature. The copper and duplex layers of nickel provide durability and corrosion resistance. The black nickel layer provides the antique appearance over the nickel layers. The outer layer of clear acrylic provides a durable corrosion resistant and smooth surface that can be easily cleaned and will last for many years.

Satin Chrome and Satin Nickel Finishes

on zinc die cast and brass base metals

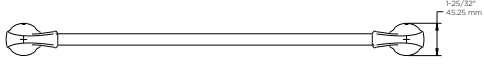
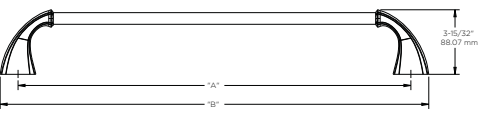
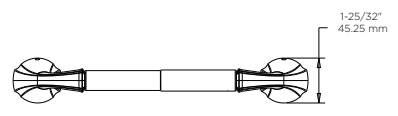
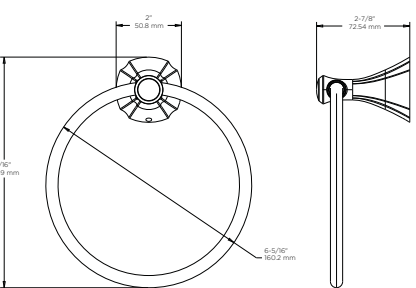
Base metals made of zinc die cast and brass are prepolished, cleaned and then plated with bright copper and duplex layers of nickel. Chromium is added for satin chrome. Parts are then brushed to give the satin appearance and protected with a clear polyurethane coating that is cured at a high temperature. The copper and duplex layers of nickel provide durability and corrosion resistance. The durable outer layer of clear polyurethane provides a durable corrosion resistant and smooth surface that can be easily cleaned and will last for many years.

White and Black Colors

Base metals made of zinc die cast, stainless steel, steel, brass and aluminum are cleaned and then finished with a polyester powder coat that is cured at a high temperature. Powder coating provides a highly durable corrosion resistant finish that can be easily cleaned and will last for many years.

Cleaning Instructions

All finishes should be cleaned using only a soft damp cloth. Do not use detergents or cleansers as they may be harmful to finish.

Delta® Addison™				
Dimensions	Item Number	Item Description	Finish	List Price
	79218-PT	18" Towel Bar	Aged Pewter	\$77.37
	79218-SS	18" Towel Bar	Brilliance® Stainless (PVD)	\$74.61
	79218	18" Towel Bar	Chrome	\$55.26
	79218-RB	18" Towel Bar	Venetian Bronze®	\$77.37
	79224-PT	24" Towel Bar	Aged Pewter	\$82.89
	79224-SS	24" Towel Bar	Brilliance® Stainless (PVD)	\$79.93
	79224	24" Towel Bar	Chrome	\$59.21
	79224-RB	24" Towel Bar	Venetian Bronze®	\$82.89
	79235-PT	Double Robe Hook	Aged Pewter	\$40.53
	79235-SS	Double Robe Hook	Brilliance® Stainless (PVD)	\$39.08
	79235	Double Robe Hook	Chrome	\$28.95
	79235-RB	Double Robe Hook	Venetian Bronze®	\$40.53
	79250-PT	Toilet Paper Holder	Aged Pewter	\$62.63
	79250-SS	Toilet Paper Holder	Brilliance® Stainless (PVD)	\$60.39
	79250	Toilet Paper Holder	Chrome	\$44.74
	79250-RB	Toilet Paper Holder	Venetian Bronze®	\$62.63
	79246-PT	Towel Ring	Aged Pewter	\$53.42
	79246-SS	Towel Ring	Brilliance® Stainless (PVD)	\$51.51
	79246	Towel Ring	Chrome	\$38.16
	79246-RB	Towel Ring	Venetian Bronze®	\$53.42

LENGTH	18"	24"
	(457 mm)	(610 mm)
DIM "A"	21-1/8"	27-1/8"
	(536 mm)	(689 mm)
DIM "B"	23"	29"
	(584 mm)	(737 mm)

Delta® Arzo™				
Dimensions	Item Number	Item Description	Finish	List Price
	77518-SS	18" Towel Bar	Brilliance® Stainless (PVD)	\$183.95
	77518	18" Towel Bar	Chrome	\$83.55
	77524-SS	24" Towel Bar	Brilliance® Stainless (PVD)	\$209.87
	77524	24" Towel Bar	Chrome	\$92.11
	77535-SS	Single Robe Hook	Brilliance® Stainless (PVD)	\$66.84
	77535	Single Robe Hook	Chrome	\$45.66
	77546-SS	Towel Ring	Brilliance® Stainless (PVD)	\$147.37
	77546	Towel Ring	Chrome	\$85.53
	77550-SS	Toilet Paper Holder	Brilliance® Stainless (PVD)	\$138.16
	77550	Toilet Paper Holder	Chrome	\$72.37

Delta® Dryden™				
Dimensions	Item Number	Item Description	Finish	List Price
	128888	18" Towel Bar	Brilliance® Stainless (PVD)	\$78.03
	128883	18" Towel Bar	Chrome	\$53.82
	128893	18" Towel Bar	Venetian Bronze®	\$83.36
	128889	24" Towel Bar	Brilliance® Stainless (PVD)	\$85.66
	128884	24" Towel Bar	Chrome	\$59.08
	128894	24" Towel Bar	Venetian Bronze®	\$91.58
	128890	Double Robe Hook	Brilliance® Stainless (PVD)	\$41.71
	128885	Double Robe Hook	Chrome	\$28.75
	128895	Double Robe Hook	Venetian Bronze®	\$44.54

Delta® Dryden™ continued				
Dimensions	Item Number	Item Description	Finish	List Price
	128891	Towel Ring	Brilliance® Stainless (PVD)	\$52.17
	128886	Towel Ring	Chrome	\$35.99
	128896	Towel Ring	Venetian Bronze®	\$55.79
	128892	Pivoting Toilet Paper Holder	Brilliance® Stainless (PVD)	\$85.66
	128887	Pivoting Toilet Paper Holder	Chrome	\$59.08
	128897	Pivoting Toilet Paper Holder	Venetian Bronze®	\$91.58

Delta® Esteem™				
Dimensions	Item Number	Item Description	Finish	List Price
	133045	18" Towel Bar	Chrome	\$25.54
	133044	24" Towel Bar	Chrome	\$27.77
	133048	Double Robe Hook	Chrome	\$16.66
	133047	Towel Ring	Chrome	\$19.99
	133046	Toilet Paper Holder	Chrome	\$22.21

GRAIL® / LAHARA™ COLLECTION

LAHARA™ / LOCKWOOD™ COLLECTION

Delta® Grail®				
Dimensions	Item Number	Item Description	Finish	List Price
	77118-SS	18" Towel Bar	Brilliance® Stainless (PVD)	\$65.59
	77118	18" Towel Bar	Chrome	\$52.03
	77124-SS	24" Towel Bar	Brilliance® Stainless (PVD)	\$72.82
	77124	24" Towel Bar	Chrome	\$57.76
	77135-SS	Single Robe Hook	Brilliance® Stainless (PVD)	\$35.92
	77135	Single Robe Hook	Chrome	\$28.48
	77146-SS	Towel Ring	Brilliance® Stainless (PVD)	\$48.61
	77146	Towel Ring	Chrome	\$38.55
	77150-SS	Toilet Paper Holder	Brilliance® Stainless (PVD)	\$60.78
	77150	Toilet Paper Holder	Chrome	\$48.22

Delta® Lahara™				
Dimensions	Item Number	Item Description	Finish	List Price
	73818-PT	18" Towel Bar	Aged Pewter	\$78.77
	73818-SS	18" Towel Bar	Brilliance® Stainless (PVD)	\$74.03
	73818	18" Towel Bar	Chrome	\$47.73
	73818-RB	18" Towel Bar	Venetian Bronze®	\$78.77
	73824-PT	24" Towel Bar	Aged Pewter	\$86.26
	73824-SS	24" Towel Bar	Brilliance® Stainless (PVD)	\$81.07
	73824	24" Towel Bar	Chrome	\$52.27
	73824-RB	24" Towel Bar	Venetian Bronze®	\$86.26

LENGTH	18" (457 mm)	24" (610 mm)
DIM "A"	18-1/8" (460 mm)	24-1/8" (613 mm)
DIM "B"	20-1/8" (510 mm)	26-1/8" (664 mm)

Delta® Lahara™ continued				
Dimensions	Item Number	Item Description	Finish	List Price
	73835-PT	Single Robe Hook	Aged Pewter	\$35.04
	73835-SS	Single Robe Hook	Brilliance® Stainless (PVD)	\$32.94
	73835	Single Robe Hook	Chrome	\$21.24
	73835-RB	Single Robe Hook	Venetian Bronze®	\$35.04
	73846-PT	Towel Ring	Aged Pewter	\$52.53
	73846-SS	Towel Ring	Brilliance® Stainless (PVD)	\$49.38
	73846	Towel Ring	Chrome	\$31.82
	73846-RB	Towel Ring	Venetian Bronze®	\$52.53
	73850-PT	Toilet Paper Holder	Aged Pewter	\$75.22
	73850-SS	Toilet Paper Holder	Brilliance® Stainless (PVD)	\$70.68
	73850	Toilet Paper Holder	Chrome	\$45.56
	73850-RB	Toilet Paper Holder	Venetian Bronze®	\$75.22

Delta® Lockwood™				
Dimensions	Item Number	Item Description	Finish	List Price
	79018-PT	18" Towel Bar	Aged Pewter	\$75.45
	79018-SS	18" Towel Bar	Brilliance® Stainless (PVD)	\$75.45
	79018	18" Towel Bar	Chrome	\$55.52
	79024-PT	24" Towel Bar	Aged Pewter	\$79.06
	79024-SS	24" Towel Bar	Brilliance® Stainless (PVD)	\$79.06
	79024	24" Towel Bar	Chrome	\$58.56

LENGTH	18" (457 mm)	24" (610 mm)
DIM "A"	18" (457.2 mm)	24" (610 mm)
DIM "B"	20-1/4" (514.4 mm)	26-1/4" (666.8 mm)
DIM "C"	20-7/8" (530.2 mm)	26-7/8" (682.6 mm)

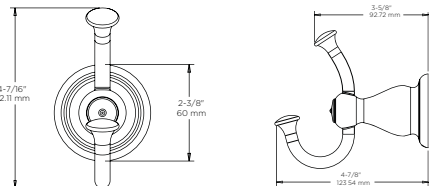
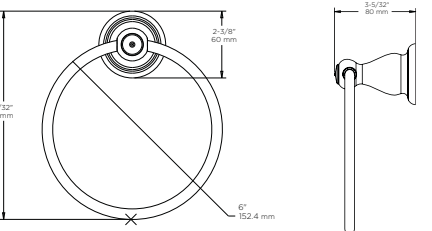
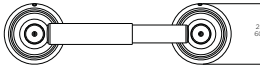
Delta® Lockwood™ continued				
Dimensions	Item Number	Item Description	Finish	List Price
	79025-PT	24" Double Towel Bar	Aged Pewter	\$130.24
	79025-SS	24" Double Towel Bar	Brilliance® Stainless (PVD)	\$130.24
	79025	24" Double Towel Bar	Chrome	\$95.78
	79026-PT	24" Towel Bar with Hooks	Aged Pewter	\$103.73
	79026-SS	24" Towel Bar with Hooks	Brilliance® Stainless (PVD)	\$103.73
	79026	24" Towel Bar with Hooks	Chrome	\$76.31
	79035-PT	Double Robe Hook	Aged Pewter	\$40.86
	79035-SS	Double Robe Hook	Brilliance® Stainless (PVD)	\$40.86
	79035	Double Robe Hook	Chrome	\$29.99
	79047-PT	8" Mini Towel Bar	Aged Pewter	\$63.21
	79047-SS	8" Mini Towel Bar	Brilliance® Stainless (PVD)	\$63.21
	79047	8" Mini Towel Bar	Chrome	\$46.58
	79050-PT	Pivoting Toilet Paper Holder	Aged Pewter	\$83.01
	79050-SS	Pivoting Toilet Paper Holder	Brilliance® Stainless (PVD)	\$83.01
	79050	Pivoting Toilet Paper Holder	Chrome	\$61.05
	79010-PT	24" Glass Shelf with Rail	Aged Pewter	\$120.13
	79010-SS	24" Glass Shelf with Rail	Brilliance® Stainless (PVD)	\$120.13
	79010	24" Glass Shelf with Rail	Chrome	\$88.42

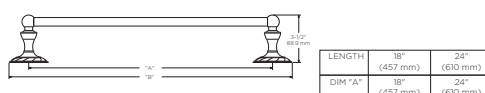
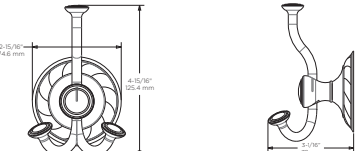
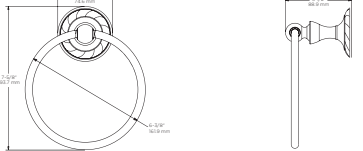
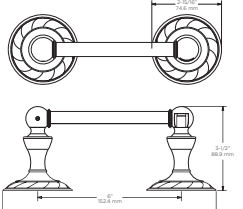
Delta® Lockwood™ continued				
Dimensions	Item Number	Item Description	Finish	List Price
	79055-PT	Glass Soap Dispenser	Aged Pewter	\$71.84
	79055-SS	Glass Soap Dispenser	Brilliance® Stainless (PVD)	\$71.81
	79055	Glass Soap Dispenser	Chrome	\$52.81
	79056-PT	Toothbrush & Tumbler Holder	Aged Pewter	\$75.71
	79056-SS	Toothbrush & Tumbler Holder	Brilliance® Stainless (PVD)	\$75.71
	79056	Toothbrush & Tumbler Holder	Chrome	\$55.72
	79061-PT	Front Mount Flush Lever	Aged Pewter	\$50.14
	79061-SS	Front Mount Flush Lever	Brilliance® Stainless (PVD)	\$50.14
	79061	Front Mount Flush Lever	Chrome	\$36.83
	79062-PT	Side Mount Flush Lever	Aged Pewter	\$50.14
	79062-SS	Side Mount Flush Lever	Brilliance® Stainless (PVD)	\$50.14
	79062	Side Mount Flush Lever	Chrome	\$36.83

Delta® Leland®				
Dimensions	Item Number	Item Description	Finish	List Price
	77818-SS	18" Towel Bar	Brilliance® Stainless (PVD)	\$56.51
	77818	18" Towel Bar	Chrome	\$45.99
	77818-RB	18" Towel Bar	Venetian Bronze®	\$53.88
	77824-SS	24" Towel Bar	Brilliance® Stainless (PVD)	\$60.46
	77824	24" Towel Bar	Chrome	\$49.93
	77824-RB	24" Towel Bar	Venetian Bronze®	\$57.83

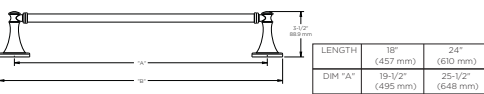
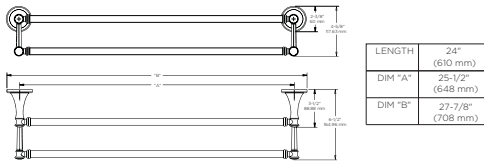
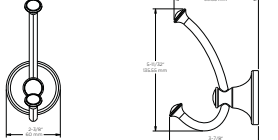
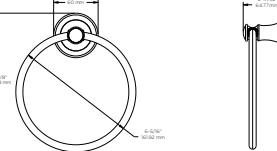

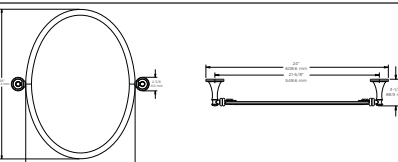
LENGTH	18" (457 mm)	24" (610 mm)
DIM "A"	18" (457 mm)	24" (610 mm)
DIM "B"	20-3/8" (517 mm)	26-3/8" (670 mm)

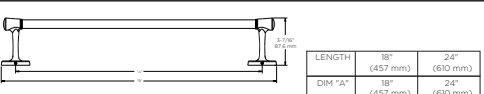
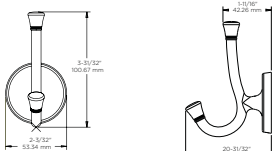
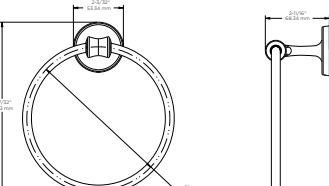
LELAND® / PIROUETTE™ COLLECTION

Delta® Leland® continued				
Dimensions	Item Number	Item Description	Finish	List Price
	77835-SS	Double Robe Hook	Brilliance® Stainless (PVD)	\$48.62
	77835	Double Robe Hook	Chrome	\$38.09
	77835-RB	Double Robe Hook	Venetian Bronze®	\$47.30
	77846-SS	Towel Ring	Brilliance® Stainless (PVD)	\$32.83
	77846	Towel Ring	Chrome	\$28.88
	77846-RB	Towel Ring	Venetian Bronze®	\$31.51
	77850-SS	Toilet Paper Holder	Brilliance® Stainless (PVD)	\$40.72
	77850	Toilet Paper Holder	Chrome	\$32.83
	77850-RB	Toilet Paper Holder	Venetian Bronze®	\$39.41

Delta® Pirouette™				
Dimensions	Item Number	Item Description	Finish	List Price
	133055	18" Towel Bar	Satin Nickel	\$33.32
	133054	24" Towel Bar	Satin Nickel	\$35.54
	133058	Triple Robe Hook	Satin Nickel	\$19.99
	133057	Towel Ring	Satin Nickel	\$24.43
	133056	Pivoting Toilet Paper Holder	Satin Nickel	\$31.10

SILVERTON® / SOUTHAMPTON COLLECTION

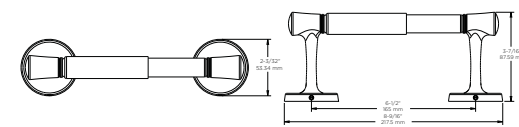
Delta® Silverton®				
Dimensions	Item Number	Item Description	Finish	List Price
	132887	18" Towel Bar	Chrome	\$25.54
	132886	24" Towel Bar	Chrome	\$27.77
	132891	24" Double Towel Bar	Chrome	\$41.10
	132890	Double Robe Hook	Chrome	\$17.77
	132889	Towel Ring	Chrome	\$22.21
	132888	Pivoting Toilet Paper Holder	Chrome	\$24.43
	132892	Mirror	Chrome	\$61.10

Delta® Southampton				
Dimensions	Item Number	Item Description	Finish	List Price
	133050	18" Towel Bar	Chrome	\$19.99
	133049	24" Towel Bar	Chrome	\$22.21
	133053	Double Robe Hook	Chrome	\$12.21
	133052	Towel Ring	Chrome	\$15.54

SOUTHAMPTON / TRADITIONAL COLLECTION

Delta® Southampton continued

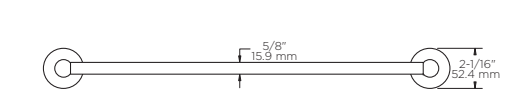
Dimensions	Item Number	Item Description	Finish	List Price
------------	-------------	------------------	--------	------------



133051	Toilet Paper Holder	Chrome	\$17.77
--------	---------------------	--------	---------

Delta® Traditional

Dimensions	Item Number	Item Description	Finish	List Price
------------	-------------	------------------	--------	------------

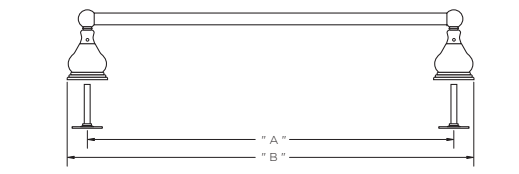


74018	18" Towel Bar	Chrome	\$52.55
-------	---------------	--------	---------

74018CB	18" Towel Bar	Chrome & Polished Brass	\$54.22
---------	---------------	-------------------------	---------

74018NN	18" Towel Bar	Pearl Nickel	\$62.49
---------	---------------	--------------	---------

74018PB	18" Towel Bar	Polished Brass	\$54.23
---------	---------------	----------------	---------



74024	24" Towel Bar	Chrome	\$57.57
-------	---------------	--------	---------

74024CB	24" Towel Bar	Chrome & Polished Brass	\$59.14
---------	---------------	-------------------------	---------

74024NN	24" Towel Bar	Pearl Nickel	\$65.65
---------	---------------	--------------	---------

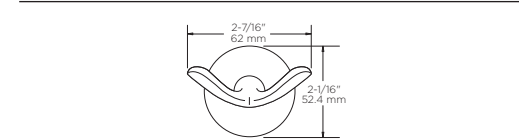
74024B	24" Towel Bar	Polished Brass	\$59.12
--------	---------------	----------------	---------

LENGTH	18" (457 mm)	24" (610 mm)	30" (762 mm)
DIM "A"	17-13/16" (452 mm)	23-13/16" (605 mm)	29-13/16" (757 mm)
DIM "B"	19-7/8" (505 mm)	25-7/8" (657 mm)	31-7/8" (809 mm)

74030	30" Towel Bar	Chrome	\$62.48
-------	---------------	--------	---------

74030CB	30" Towel Bar	Chrome & Polished Brass	\$64.02
---------	---------------	-------------------------	---------

74030NN	30" Towel Bar	Pearl Nickel	\$72.18
---------	---------------	--------------	---------

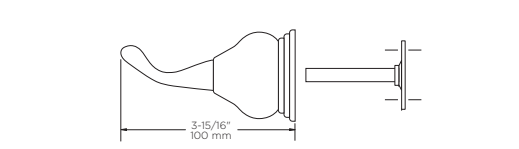


74036	Double Robe Hook	Chrome	\$23.42
-------	------------------	--------	---------

74036CB	Double Robe Hook	Chrome & Polished Brass	\$25.26
---------	------------------	-------------------------	---------

74036NN	Double Robe Hook	Pearl Nickel	\$28.82
---------	------------------	--------------	---------

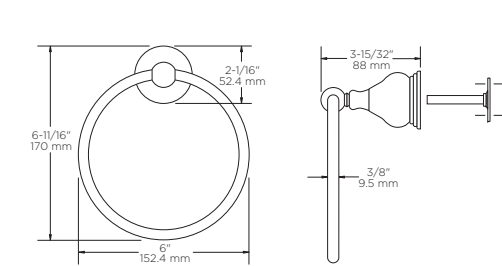
74036PB	Double Robe Hook	Polished Brass	\$25.26
---------	------------------	----------------	---------



TRADITIONAL / VERO COLLECTION

Delta® Traditional continued

Dimensions	Item Number	Item Description	Finish	List Price
------------	-------------	------------------	--------	------------



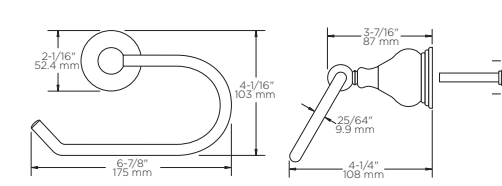
74046	Towel Ring	Chrome	\$35.06
-------	------------	--------	---------

74046CB	Towel Ring	Chrome & Polished Brass	\$37.43
---------	------------	-------------------------	---------

74046NN	Towel Ring	Pearl Nickel	\$43.09
---------	------------	--------------	---------

74046PB	Towel Ring	Polished Brass	\$37.43
---------	------------	----------------	---------

74050	Toilet Paper Holder	Chrome	\$44.47
-------	---------------------	--------	---------



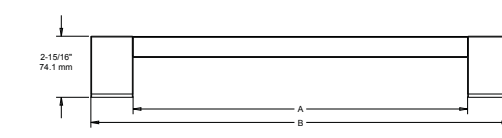
74050CB	Toilet Paper Holder	Chrome & Polished Brass	\$46.05
---------	---------------------	-------------------------	---------

74050NN	Toilet Paper Holder	Pearl Nickel	\$50.98
---------	---------------------	--------------	---------

74050PB	Toilet Paper Holder	Polished Brass	\$46.05
---------	---------------------	----------------	---------

Delta® Vero

Dimensions	Item Number	Item Description	Finish	List Price
------------	-------------	------------------	--------	------------



77718-SS	18" Towel Bar	Brilliance® Stainless (PVD)	\$165.77
----------	---------------	-----------------------------	----------

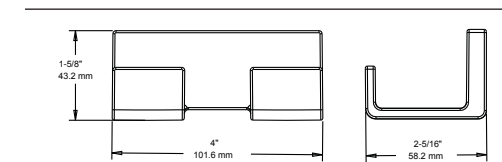
77718	18" Towel Bar	Chrome	\$118.41
-------	---------------	--------	----------



LENGTH	18" (457 mm)	24" (610 mm)
DIM "A"	18" (457 mm)	24" (610 mm)
DIM "B"	19-3/4" (502 mm)	25-3/4" (654 mm)

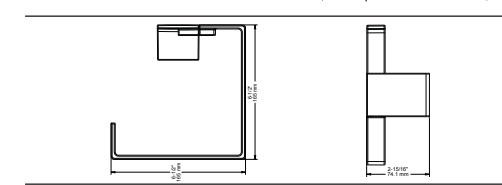
77724-SS	24" Towel Bar	Brilliance® Stainless (PVD)	\$202.61
----------	---------------	-----------------------------	----------

77724	24" Towel Bar	Chrome	\$144.72
-------	---------------	--------	----------



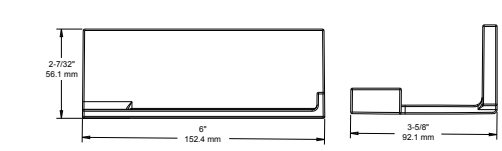
77736-SS	Double Robe Hook	Brilliance® Stainless (PVD)	\$110.52
----------	------------------	-----------------------------	----------

77736	Double Robe Hook	Chrome	\$78.94
-------	------------------	--------	---------



77746-SS	Towel Ring	Brilliance® Stainless (PVD)	\$147.35
----------	------------	-----------------------------	----------

77746	Towel Ring	Chrome	\$105.25
-------	------------	--------	----------



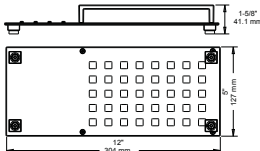
77750-SS	Toilet Paper Holder	Brilliance® Stainless (PVD)	\$110.52
----------	---------------------	-----------------------------	----------

77750	Toilet Paper Holder	Chrome	\$78.94
-------	---------------------	--------	---------


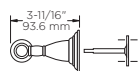
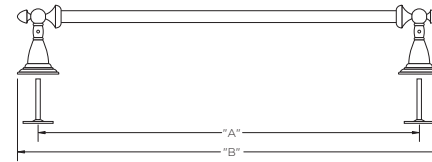
VERO / VICTORIAN® COLLECTION

VICTORIAN® COLLECTION

Delta® Vero continued


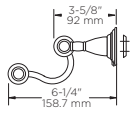
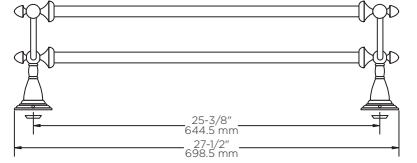
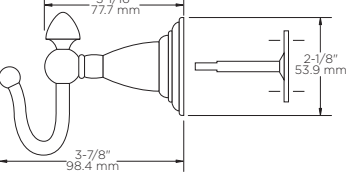
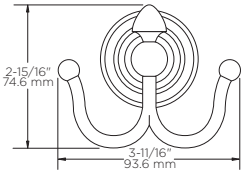
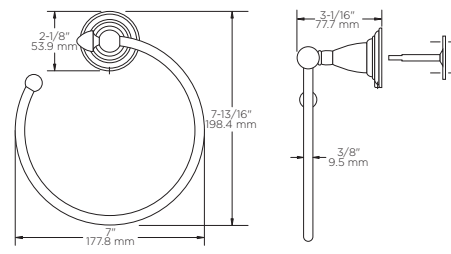
Dimensions	Item Number	Item Description	Finish	List Price
	77612-SS	12" Shelf	Brilliance® Stainless (PVD)	\$327.86
	77612	12" Shelf	Chrome	\$243.40

Delta® Victorian®


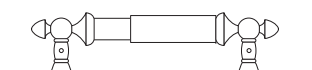

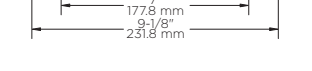
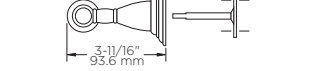

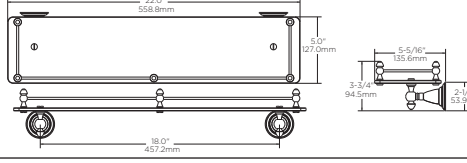
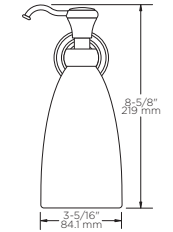
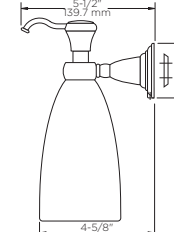
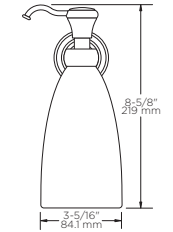
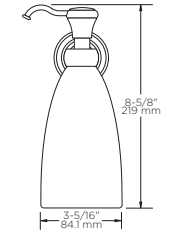
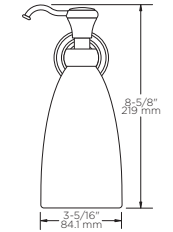
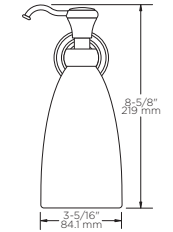
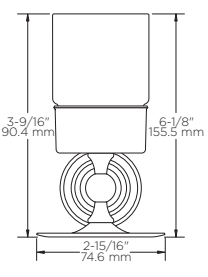
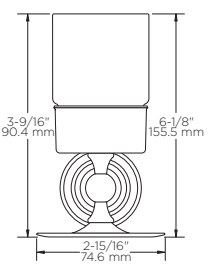
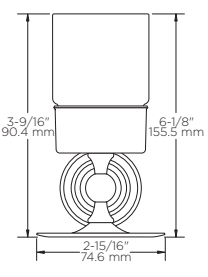
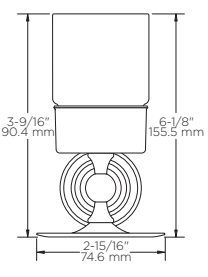
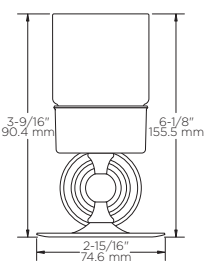
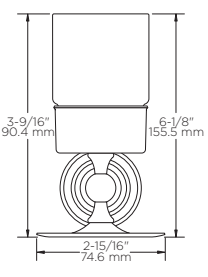
Dimensions	Item Number	Item Description	Finish	List Price
	75018-PT	18" Towel Bar	Aged Pewter	\$64.02
	75018-SS	18" Towel Bar	Brilliance® Stainless (PVD)	\$73.29
	75018	18" Towel Bar	Chrome	\$53.80
	75018-NN	18" Towel Bar	Pearl Nickel	\$64.02
	75018-PB	18" Towel Bar	Polished Brass	\$55.59
	75018-RB	18" Towel Bar	Venetian Bronze®	\$64.02
	75024-PT	24" Towel Bar	Aged Pewter	\$67.30
	75024-SS	24" Towel Bar	Brilliance® Stainless (PVD)	\$76.65
	75024	24" Towel Bar	Chrome	\$59.08
	75024-NN	24" Towel Bar	Pearl Nickel	\$67.29
	75024-PB	24" Towel Bar	Polished Brass	\$60.66
	75024-RB	24" Towel Bar	Venetian Bronze®	\$67.29

LENGTH	18" (457 mm)	24" (610 mm)
DIM "A"	19-3/8" (492 mm)	25-3/8" (645 mm)
DIM "B"	21-7/16" (545 mm)	27-7/16" (697 mm)

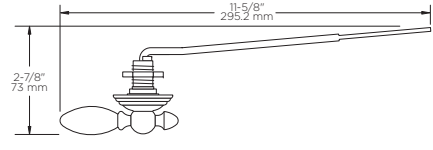
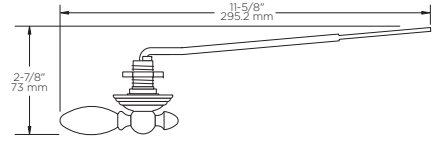
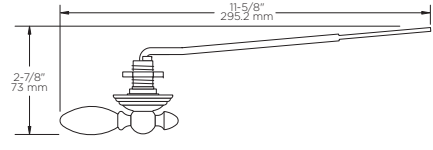
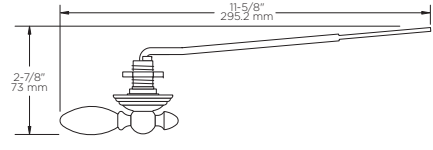
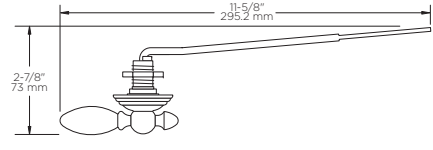
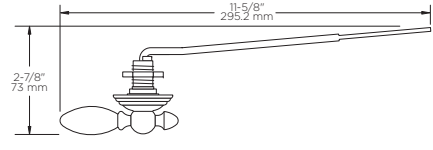
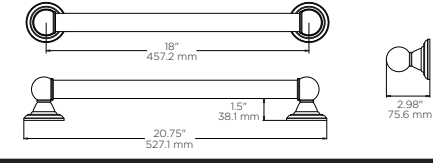
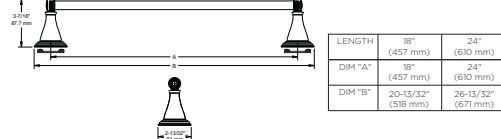
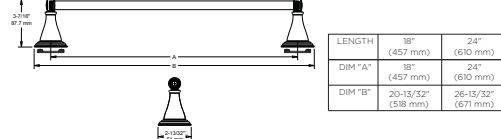
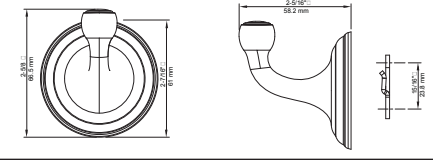
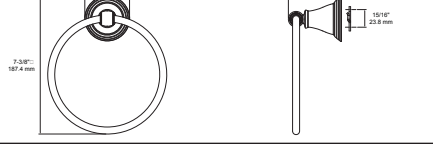
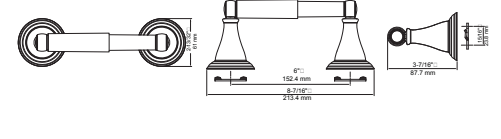
Delta® Victorian® continued

Dimensions	Item Number	Item Description	Finish	List Price
	75224-PT	24" Double Towel Bar	Aged Pewter	\$111.24
	75224-SS	24" Double Towel Bar	Brilliance® Stainless (PVD)	\$129.38
	75224	24" Double Towel Bar	Chrome	\$92.62
	75224-NN	24" Double Towel Bar	Pearl Nickel	\$111.24
	75224-PB	24" Double Towel Bar	Polished Brass	\$96.97
	75224-RB	24" Double Towel Bar	Venetian Bronze®	\$111.24
	75035-PT	Double Robe Hook	Aged Pewter	\$35.32
	75035-SS	Double Robe Hook	Brilliance® Stainless (PVD)	\$42.63
	75035	Double Robe Hook	Chrome	\$28.75
	75035-NN	Double Robe Hook	Pearl Nickel	\$35.27
	75035-PB	Double Robe Hook	Polished Brass	\$30.38
	75035-RB	Double Robe Hook	Venetian Bronze®	\$35.27
	75046-PT	Towel Ring	Aged Pewter	\$44.14
	75046-SS	Towel Ring	Brilliance® Stainless (PVD)	\$54.53
	75046	Towel Ring	Chrome	\$36.00
	75046-NN	Towel Ring	Pearl Nickel	\$44.13
	75046-PB	Towel Ring	Polished Brass	\$38.49
	75046RB	Towel Ring	Venetian Bronze®	\$44.18

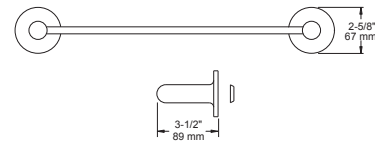
VICTORIAN® COLLECTION

Delta® Victorian® continued				
Dimensions	Item Number	Item Description	Finish	List Price
	75050-PT	Toilet Paper Holder	Aged Pewter	\$75.45
	75050-SS	Toilet Paper Holder	Brilliance® Stainless (PVD)	\$82.68
	75050	Toilet Paper Holder	Chrome	\$59.05
	75050-NN	Toilet Paper Holder	Pearl Nickel	\$75.45
	75050-PB	Toilet Paper Holder	Polished Brass	\$66.69
	75050-RB	Toilet Paper Holder	Venetian Bronze®	\$75.45
	75010-RB	24" Glass Shelf with Rail	Venetian Bronze®	\$97.96
	75055-PT	Soap Dispenser	Aged Pewter	\$38.88
	75055-SS	Soap Dispenser	Brilliance® Stainless (PVD)	\$46.45
	75055	Soap Dispenser	Chrome	\$35.40
	75055-NN	Soap Dispenser	Pearl Nickel	\$38.88
	75055-PB	Soap Dispenser	Polished Brass	\$36.83
	75055-RB	Soap Dispenser	Venetian Bronze®	\$38.88
	75056-PT	Toothbrush & Tumbler Holder	Aged Pewter	\$49.21
	75056-SS	Toothbrush & Tumbler Holder	Brilliance® Stainless (PVD)	\$56.37
	75056	Toothbrush & Tumbler Holder	Chrome	\$41.38
	75056-NN	Toothbrush & Tumbler Holder	Pearl Nickel	\$49.20
	75056-PB	Toothbrush & Tumbler Holder	Polished Brass	\$43.86
	75056-RB	Toothbrush & Tumbler Holder	Venetian Bronze®	\$49.20

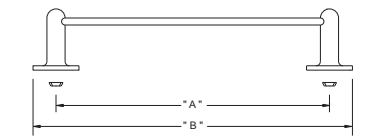
VICTORIAN® / WINDEMERE® COLLECTION

Delta® Victorian® continued				
Dimensions	Item Number	Item Description	Finish	List Price
	75060-PT	Front Mount Flush Lever	Aged Pewter	\$32.23
	75060-SS	Front Mount Flush Lever	Brilliance® Stainless (PVD)	\$38.49
	75060	Front Mount Flush Lever	Chrome	\$30.40
	75060-NN	Front Mount Flush Lever	Pearl Nickel	\$32.23
	75060-PB	Front Mount Flush Lever	Polished Brass	\$31.32
	75060-RB	Front Mount Flush Lever	Venetian Bronze®	\$32.23
	113425	18" Decorative Grab Bar	Venetian Bronze®	\$71.57
Delta® Windemere®				
Dimensions	Item Number	Item Description	Finish	List Price
	79618-BN	18" Towel Bar	Brushed Nickel	\$38.84
	79624-BN	24" Towel Bar	Brushed Nickel	\$42.52
	79635-BN	Single Robe Hook	Brushed Nickel	\$14.43
	79646-BN	Towel Ring	Brushed Nickel	\$26.05
	79650-BN	Toilet Paper Holder	Brushed Nickel	\$35.35

Astra®				
Dimensions	Item Number	Item Description	Finish	List Price



127759	18" Towel Bar	Polished Chrome	\$15.59
--------	---------------	-----------------	---------



127760	18" Towel Bar	Satin Nickel	\$18.58
--------	---------------	--------------	---------

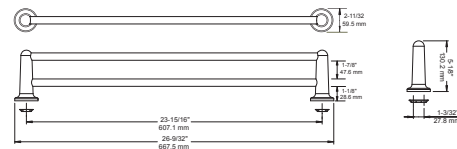
LENGTH	18"	24"
	(457 mm)	(610 mm)
DIM "A"	18-1/4"	24-1/4"
	(464 mm)	(616 mm)
DIM "B"	20-7/8"	26-7/8"
	(530 mm)	(683 mm)

127761	18" Towel Bar	White	\$18.19
--------	---------------	-------	---------

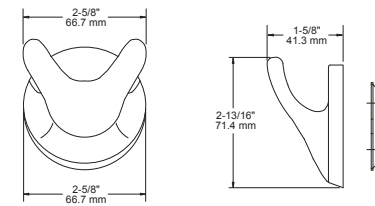
127762	24" Towel Bar	Polished Chrome	\$16.53
--------	---------------	-----------------	---------

127763	24" Towel Bar	Satin Nickel	\$19.81
--------	---------------	--------------	---------

127764	24" Towel Bar	White	\$19.36
--------	---------------	-------	---------



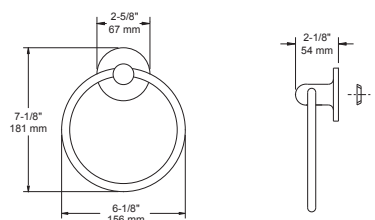
1050-SN	24" Double Towel Bar	Satin Nickel	\$66.02
---------	----------------------	--------------	---------



127765	Double Robe Hook	Polished Chrome	\$9.38
--------	------------------	-----------------	--------

127766	Double Robe Hook	Satin Nickel	\$11.25
--------	------------------	--------------	---------

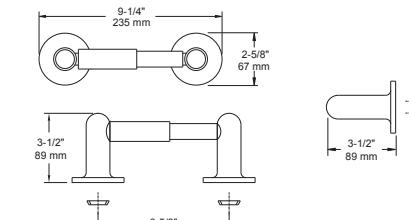
127767	Double Robe Hook	White	\$10.99
--------	------------------	-------	---------



127774	Towel Ring	Polished Chrome	\$13.70
--------	------------	-----------------	---------

127775	Towel Ring	Satin Nickel	\$16.48
--------	------------	--------------	---------

127776	Towel Ring	White	\$16.06
--------	------------	-------	---------

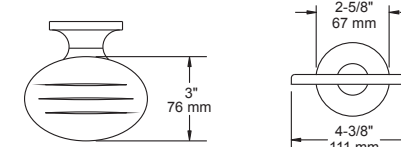


127771	Toilet Paper Holder	Polished Chrome	\$13.70
--------	---------------------	-----------------	---------

127772	Toilet Paper Holder	Satin Nickel	\$16.48
--------	---------------------	--------------	---------

127773	Toilet Paper Holder	White	\$16.06
--------	---------------------	-------	---------

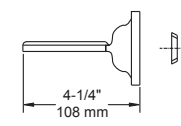
Astra® continued				
Dimensions	Item Number	Item Description	Finish	List Price



127768	Soap Dish	Polished Chrome	\$10.86
--------	-----------	-----------------	---------

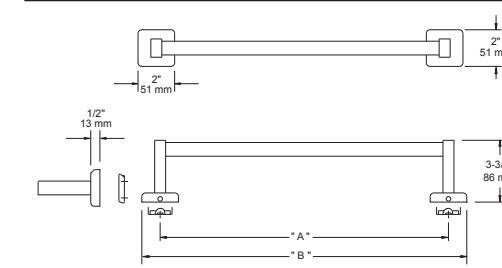
127769	Soap Dish	Satin Nickel	\$11.06
--------	-----------	--------------	---------

127770	Soap Dish	White	\$10.86
--------	-----------	-------	---------



E1006B	Plastic Tray for Soap Dish	Clear	\$2.14
--------	----------------------------	-------	--------

Century™				
Dimensions	Item Number	Item Description	Finish	List Price



5518	18" Towel Bar	Polished Stainless Steel	\$26.98
------	---------------	--------------------------	---------

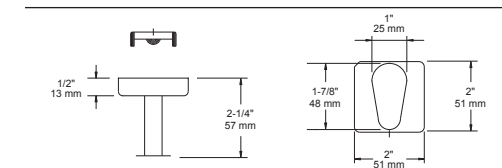
5518SF	18" Towel Bar	Satin Stainless Steel	\$28.14
--------	---------------	-----------------------	---------

5524	24" Towel Bar	Polished Stainless Steel	\$28.14
------	---------------	--------------------------	---------

LENGTH	18"	24"	30"
	(457 mm)	(610 mm)	(762 mm)
DIM "A"	17-3/4"	23-3/4"	29-3/4"
	(451 mm)	(603 mm)	(756 mm)
DIM "B"	19-3/4"	25-3/4"	31-3/4"
	(502 mm)	(654 mm)	(806 mm)

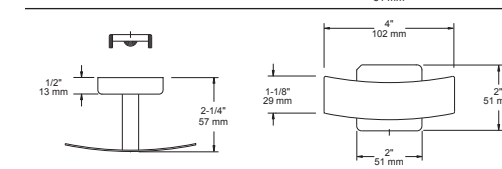
5524SF	24" Towel Bar	Satin Stainless Steel	\$29.67
--------	---------------	-----------------------	---------

5530	30" Towel Bar	Polished Stainless Steel	\$29.31
------	---------------	--------------------------	---------



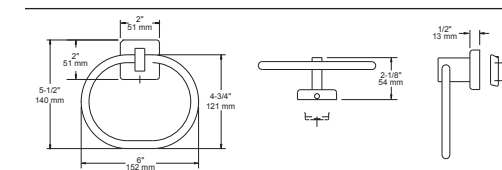
5501	Single Robe Hook	Polished Stainless Steel	\$12.76
------	------------------	--------------------------	---------

5501SF	Single Robe Hook	Satin Stainless Steel	\$12.77
--------	------------------	-----------------------	---------



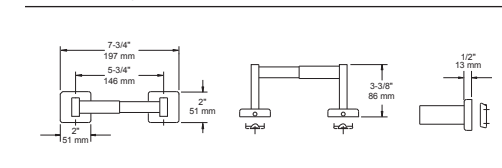
5502	Double Robe Hook	Polished Stainless Steel	\$13.83
------	------------------	--------------------------	---------

5502SF	Double Robe Hook	Satin Stainless Steel	\$13.83
--------	------------------	-----------------------	---------



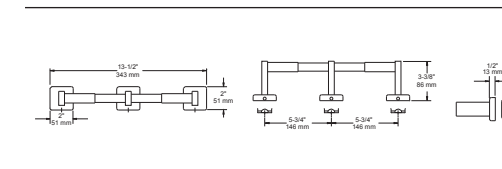
5516	Towel Ring	Polished Stainless Steel	\$24.79
------	------------	--------------------------	---------

5516SF	Towel Ring	Satin Stainless Steel	\$24.33
--------	------------	-----------------------	---------



5508B	Toilet Paper Holder	Polished Stainless Steel	\$24.16
-------	---------------------	--------------------------	---------

5508BSF	Toilet Paper Holder	Satin Stainless Steel	\$24.16
---------	---------------------	-----------------------	---------

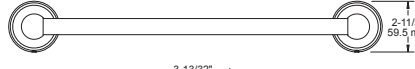
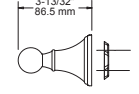
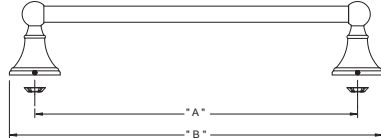

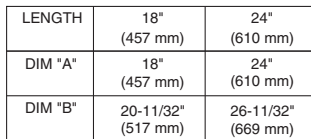
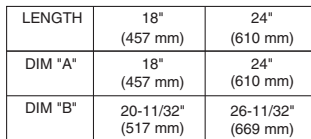
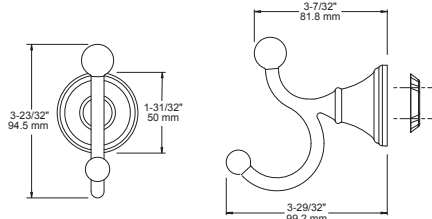
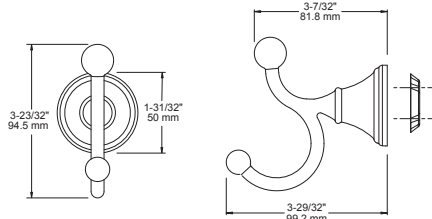
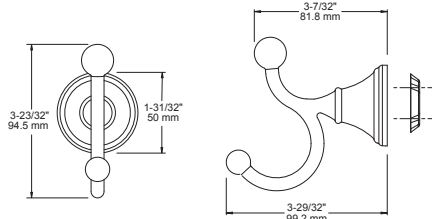
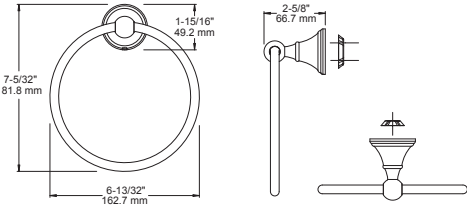
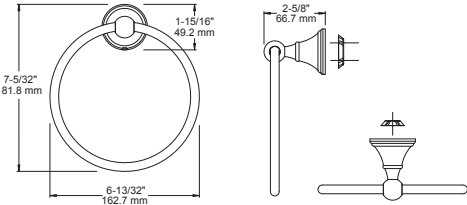
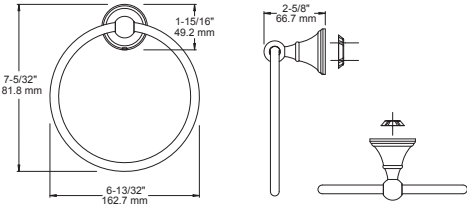


5507B	Twin Toilet Paper Holder	Polished Stainless Steel	\$36.93
-------	--------------------------	--------------------------	---------

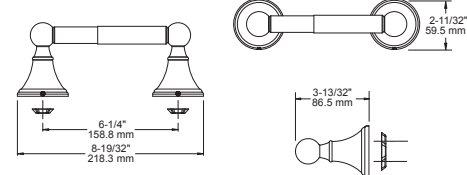
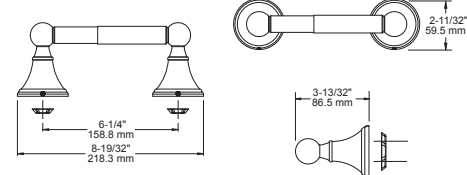
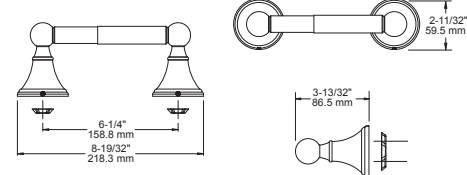
5507BSF	Twin Toilet Paper Holder	Satin Stainless Steel	\$38.34
---------	--------------------------	-----------------------	---------

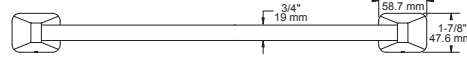
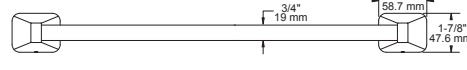
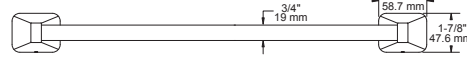
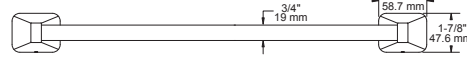
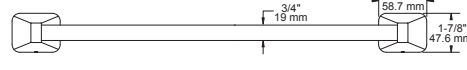
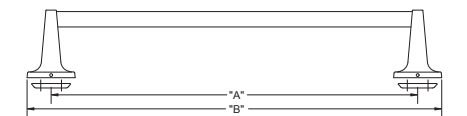
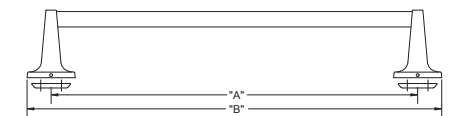
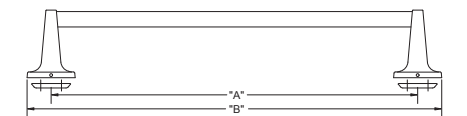
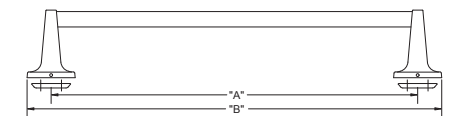
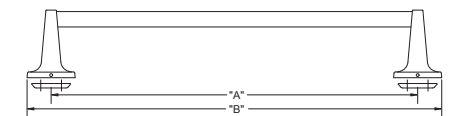
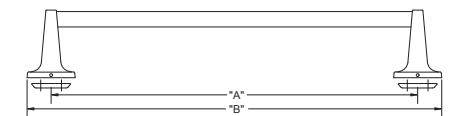
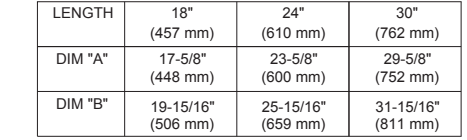
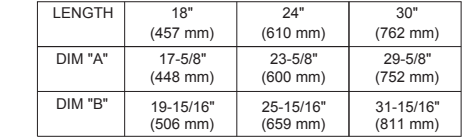
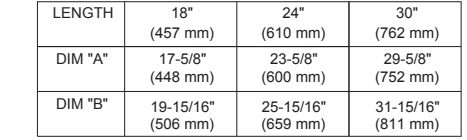
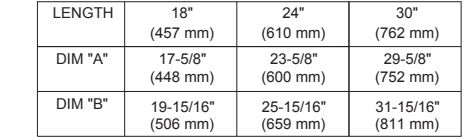
CENTURY™ / CRESTFIELD® COLLECTION

Century™ continued				
Dimensions	Item Number	Item Description	Finish	List Price
N/A	5567B	Recessed Toilet Paper Holder	Polished Stainless Steel	\$26.98
N/A	5566	Recessed Soap or Tumbler Holder	Polished Stainless Steel	\$20.72
N/A	5557	24" Towel Shelf with Bar	Polished Stainless Steel	\$74.15

Crestfield®				
Dimensions	Item Number	Item Description	Finish	List Price
	103328	18" Towel Bar	Satin Nickel	\$21.99
	125858	18" Towel Bar	Polished Chrome	\$19.79
	125863	18" Towel Bar	Venetian Bronze®	\$25.29
	103329	24" Towel Bar	Satin Nickel	\$24.19
	125859	24" Towel Bar	Polished Chrome	\$21.99
	125865	24" Towel Bar	Venetian Bronze®	\$27.49
	103330	Double Robe Hook	Satin Nickel	\$14.29
	125861	Double Robe Hook	Polished Chrome	\$12.08
	125867	Double Robe Hook	Venetian Bronze®	\$16.49
	103310	Towel Ring	Satin Nickel	\$16.49
	125862	Towel Ring	Polished Chrome	\$14.29
	125864	Towel Ring	Venetian Bronze®	\$18.69

CRESTFIELD® / FUTURA® COLLECTION

Crestfield® continued				
Dimensions	Item Number	Item Description	Finish	List Price
	103331	Toilet Paper Holder	Satin Nickel	\$21.98
	125860	Toilet Paper Holder	Polished Chrome	\$18.69
	125866	Toilet Paper Holder	Venetian Bronze®	\$24.19

Futura®				
Items denoted with a "*" are in Trade Packaging, all other items are in Retail Packaging.				
Dimensions	Item Number	Item Description	Finish	List Price
	1418*	18" Towel Bar (304 Stainless Bar)	Polished Chrome	\$14.09
	1418A*	18" Towel Bar (Aluminum Bar)	Polished Chrome	\$12.92
	D2418PC	18" Towel Bar	Polished Chrome	\$14.14
	D2418SN	18" Towel Bar	Satin Nickel	\$17.59
	D2418W	18" Towel Bar	White	\$14.69
	1424*	24" Towel Bar (304 Stainless Bar)	Polished Chrome	\$15.41
	1424A*	24" Towel Bar (Aluminum Bar)	Polished Chrome	\$13.88
	D2424PC	24" Towel Bar	Polished Chrome	\$15.00
	E1400-24*	24" Towel Bar Only (304 Stainless Bar)	Polished Chrome	\$10.29
	D2424SN	24" Towel Bar	Satin Nickel	\$18.01
	D2424W	24" Towel Bar	White	\$15.57
	F1430*	30" Towel Bar (304 Stainless Bar)	Polished Chrome	\$18.16
	D2430PC	30" Towel Bar	Polished Chrome	\$16.22
	E1400-30*	30" Towel Bar Only (304 Stainless Bar)	Polished Chrome	\$12.94
	D2430SN	30" Towel Bar	Satin Nickel	\$19.45

Futura® continued Items denoted with a "*" are in Trade Packaging, all other items are in Retail Packaging.

Dimensions	Item Number	Item Description	Finish	List Price
Dimensions Shown On Previous Page	D2430W	30" Towel Bar	White	\$16.82
	E1400P*	Pair of Towel Bar Posts	Polished Chrome	\$10.16
N/A	DS2400PC	4-Pc. Set (24" towel bar, double robe hook, towel ring, toilet paper holder)	Polished Chrome	\$36.36
N/A	F1401*	Single Robe Hook	Polished Chrome	\$6.42
	F1402*	Double Robe Hook	Polished Chrome	\$5.46
	D2402PC	Double Robe Hook	Polished Chrome	\$5.46
	D2402SN	Double Robe Hook	Satin Nickel	\$6.52
	D2402W	Double Robe Hook	White	\$5.67
	1416*	Towel Ring (Aluminum Ring)	Polished Chrome	\$10.47
	D2416PC	Towel Ring	Polished Chrome	\$11.97
	D2416SN	Towel Ring	Satin Nickel	\$14.37
	D2416W	Towel Ring	White	\$12.42
	F1408C*	Toilet Paper Holder (Brass Roller)	Polished Chrome	\$14.04
	1408P*	Toilet Paper Holder (Chrome Plastic Roller)	Polished Chrome	\$12.71
	D2408PC	Toilet Paper Holder	Polished Chrome	\$12.45
	1408B*	Toilet Paper Holder (Gray Plastic Roller)	Polished Chrome	\$11.40
	D2408SN	Toilet Paper Holder	Satin Nickel	\$15.50
	D2408W	Toilet Paper Holder	White	\$12.93

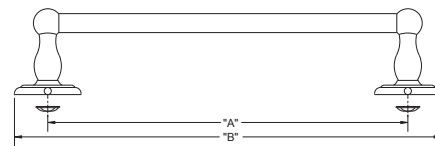
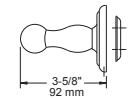
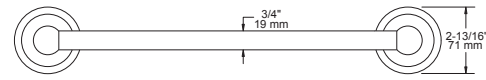
Futura® continued Items denoted with a "*" are in Trade Packaging, all other items are in Retail Packaging.

Dimensions	Item Number	Item Description	Finish	List Price
	D2497PC	Recessed Toilet Paper Holder	Polished Chrome	\$22.31
	D2497W	Recessed Toilet Paper Holder	White	\$23.16
	F1405*	Toothbrush & Tumbler Holder	Polished Chrome	\$8.37
	D2405PC	Toothbrush & Tumbler Holder	Polished Chrome	\$8.37
	D2405SN	Toothbrush & Tumbler Holder	Satin Nickel	\$10.40
	D2405W	Toothbrush & Tumbler Holder	White	\$8.68
	F1406*	Soap Dish	Polished Chrome	\$8.68
	D2406PC	Soap Dish	Polished Chrome	\$8.68
	D2406SN	Soap Dish	Satin Nickel	\$10.40
	D2406W	Soap Dish	White	\$8.68
	D2498PC	Recessed Soap Dish with Bar	Polished Chrome	\$25.03
	D2498W	Recessed Soap Dish with Bar	White	\$28.44
	1470*	18" 304 Stainless Steel Shelf	Polished Chrome	\$32.18
	F1475*	24" 304 Stainless Steel Shelf	Polished Chrome	\$35.26
	F1454*	18" Towel Shelf with Bars & Support Braces (304 Stainless Steel Bars)	Polished Chrome	\$65.60
	F1459*	24" Towel Shelf with Bars & Support Braces (304 Stainless Steel Bars)	Polished Chrome	\$66.51
	F1445*	32" Towel Ladder	Polished Chrome	\$57.30

JAMESTOWN® COLLECTION

Jamestown® Items denoted with a "*" are in Trade Packaging and use Set Screws, all other items are in Retail Packaging and use Easy Clip® mounting installation.

Dimensions	Item Number	Item Description	Finish	List Price
------------	-------------	------------------	--------	------------



LENGTH	18" (457 mm)	24" (610 mm)	30" (762 mm)
DIM "A"	18-1/4" (464 mm)	24-1/4" (616 mm)	30-1/4" (768 mm)
DIM "B"	21-1/16" (535 mm)	27-1/16" (687 mm)	33-1/16" (840 mm)

9018PC* 18" Towel Bar Polished Chrome \$33.24

127733 18" Towel Bar Polished Chrome \$33.24

9018SN* 18" Towel Bar Satin Nickel \$39.79

127724 18" Towel Bar Satin Nickel \$39.79

127682 18" Towel Bar Venetian Bronze® \$41.51

9024PC* 24" Towel Bar Polished Chrome \$34.72

127734 24" Towel Bar Polished Chrome \$34.72

9024SN* 24" Towel Bar Satin Nickel \$41.64

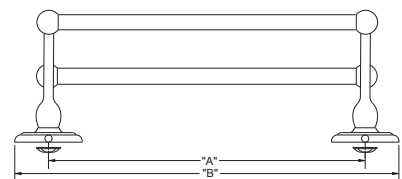
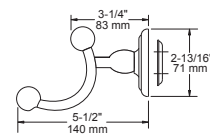
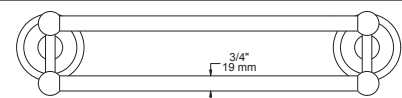
127725 24" Towel Bar Satin Nickel \$41.64

127683 24" Towel Bar Venetian Bronze® \$43.40

127743 30" Towel Bar Polished Chrome \$36.47

127708 30" Towel Bar Satin Nickel \$43.72

127697 30" Towel Bar Venetian Bronze® \$45.56



LENGTH	18" (457 mm)	24" (610 mm)	30" (762 mm)
DIM "A"	18-1/4" (464 mm)	24-1/4" (616 mm)	30-1/4" (768 mm)
DIM "B"	21-1/16" (535 mm)	27-1/16" (687 mm)	33-1/16" (840 mm)

127728 18" Double Towel Bar Satin Nickel \$54.51

127700 18" Double Towel Bar Venetian Bronze® \$63.42

9045PC* 24" Double Towel Bar Polished Chrome \$51.36

127736 24" Double Towel Bar Polished Chrome \$51.36

9045SN* 24" Double Towel Bar Satin Nickel \$61.57

127727 24" Double Towel Bar Satin Nickel \$61.57

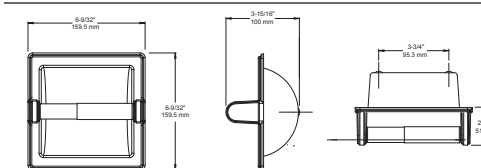
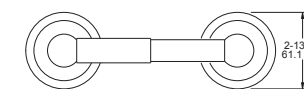
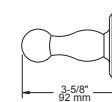
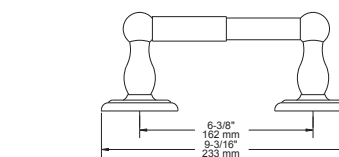
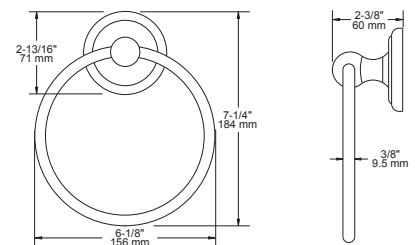
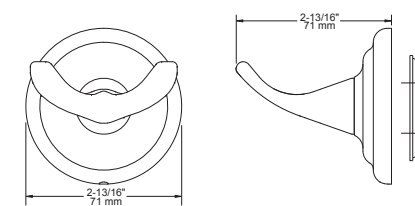
127685 24" Double Towel Bar Venetian Bronze® \$64.17

JAMESTOWN® COLLECTION

Jamestown® continued Items denoted with a "*" are in Trade Packaging and use Set Screws, all other items are in Retail Packaging and use Easy Clip® mounting installation.

Dimensions	Item Number	Item Description	Finish	List Price
------------	-------------	------------------	--------	------------

Dimensions Shown On Previous Page



127746 30" Double Towel Bar Polished Chrome \$55.32

127712 30" Double Towel Bar Satin Nickel \$66.39

127701 30" Double Towel Bar Venetian Bronze® \$72.00

9002PC* Double Robe Hook Polished Chrome \$12.50

127730 Double Robe Hook Polished Chrome \$12.50

9002SN* Double Robe Hook Satin Nickel \$15.00

127721 Double Robe Hook Satin Nickel \$15.00

127679 Double Robe Hook Venetian Bronze® \$16.49

9016PC* Towel Ring Polished Chrome \$20.77

127731 Towel Ring Polished Chrome \$20.77

9016SN* Towel Ring Satin Nickel \$24.95

127722 Towel Ring Satin Nickel \$24.95

127680 Towel Ring Venetian Bronze® \$25.96

9008PC* Toilet Paper Holder Polished Chrome \$29.32

127732 Toilet Paper Holder Polished Chrome \$29.32

9008SN* Toilet Paper Holder Satin Nickel \$35.14

127723 Toilet Paper Holder Satin Nickel \$35.14

127681 Toilet Paper Holder Venetian Bronze® \$36.62

9097PC Recessed Toilet Paper Holder with Beveled Edges Polished Chrome \$39.24

9097SN Recessed Toilet Paper Holder with Beveled Edges Satin Nickel \$42.48

JAMESTOWN® / KELSIE COLLECTION

KELSIE / PALLADIUM™ / PROVIDENCE® COLLECTION

Jamestown® continued Items denoted with a "*" are in Trade Packaging and use Set Screws, all other items are in Retail Packaging and use Easy Clip® mounting installation.

Dimensions	Item Number	Item Description	Finish	List Price
	9098PC	Recessed Soap Dish with Bar and Beveled Edges	Polished Chrome	\$27.80
	9098SN	Recessed Soap Dish with Bar and Beveled Edges	Satin Nickel	\$30.59
	127729	Soap Dish	Polished Chrome	\$18.58
	127720	Soap Dish	Satin Nickel	\$14.29
	127678	Soap Dish	Venetian Bronze®	\$23.27
	E9006B	Plastic Replacement Soap Dish	Clear	\$2.91
	9065PC*	24" Glass Shelf	Polished Chrome	\$48.39
	127735	24" Glass Shelf	Polished Chrome	\$48.39
	9065SN*	24" Glass Shelf	Satin Nickel	\$51.69
	127726	24" Glass Shelf	Satin Nickel	\$51.69
	127684	24" Glass Shelf	Venetian Bronze®	\$54.99

Kelsie

Dimensions	Item Number	Item Description	Finish	List Price
	4618PC	18" Towel Bar	Polished Chrome	\$34.31
	4618SN	18" Towel Bar	Satin Nickel	\$41.20
	4624PC	24" Towel Bar	Polished Chrome	\$37.45
	4624SN	24" Towel Bar	Satin Nickel	\$44.94
	4630PC	30" Towel Bar	Polished Chrome	\$43.17
	4630SN	30" Towel Bar	Satin Nickel	\$51.80
	4602PC	Double Robe Hook	Polished Chrome	\$17.49
	4602SN	Double Robe Hook	Satin Nickel	\$20.95

Kelsie continued

Dimensions	Item Number	Item Description	Finish	List Price
	4616PC	Towel Ring	Polished Chrome	\$21.83
	4616SN	Towel Ring	Satin Nickel	\$26.22
	4608PC	Toilet Paper Holder	Polished Chrome	\$31.94
	4608SN	Toilet Paper Holder	Satin Nickel	\$38.39

Palladium™

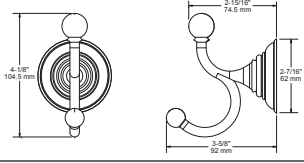
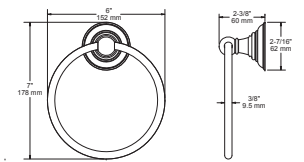
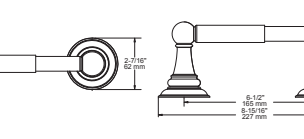
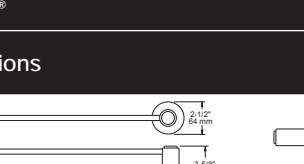
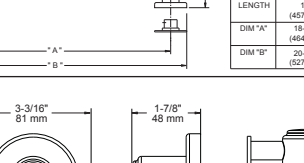
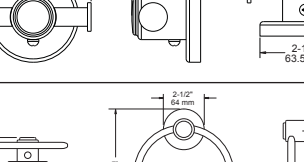
Dimensions	Item Number	Item Description	Finish	List Price
	123077	18" Towel Bar	Polished Chrome	\$33.58
	123078	24" Towel Bar	Polished Chrome	\$36.42
	123081	Double Robe Hook	Polished Chrome	\$19.73
	123079	Towel Ring	Polished Chrome	\$27.16
	123082	Pivoting Toilet Paper Holder	Polished Chrome	\$36.42

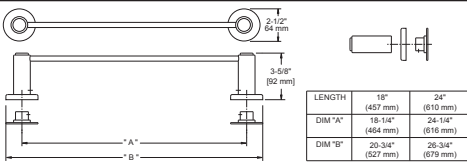
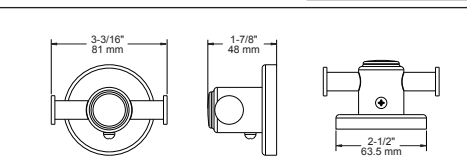
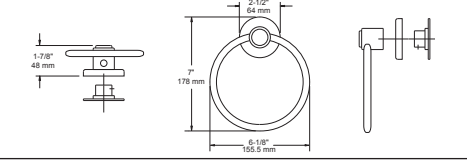
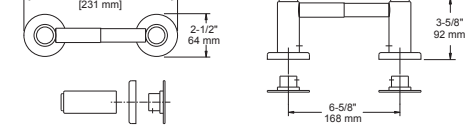

Providence®

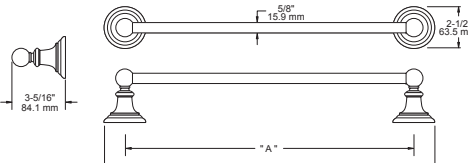
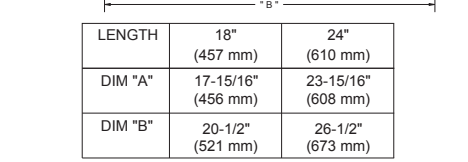
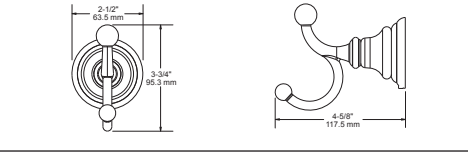
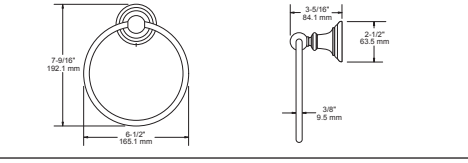
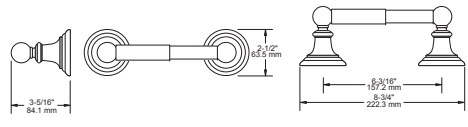

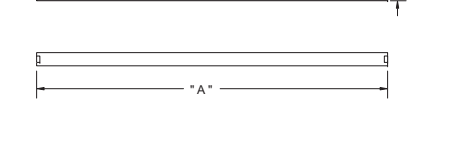
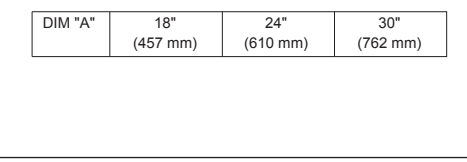
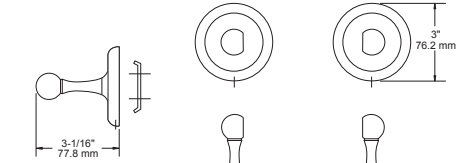
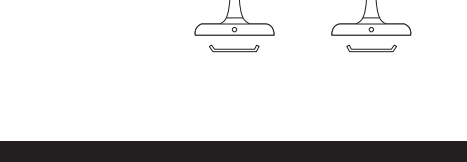
Dimensions	Item Number	Item Description	Finish	List Price
	116905	18" Towel Bar	Oil Rubbed Bronze	\$29.88
	128048	18" Towel Bar	Soft Brass	\$27.99
	116904	24" Towel Bar	Oil Rubbed Bronze	\$31.98
	128047	24" Towel Bar	Soft Brass	\$29.99

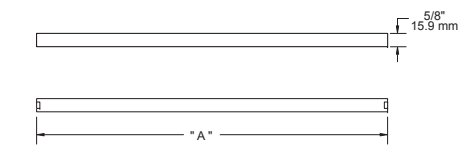
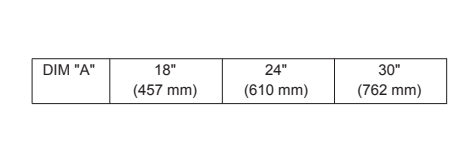
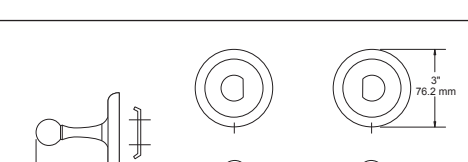

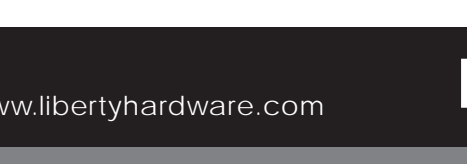
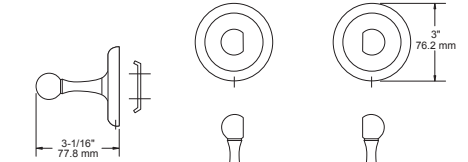
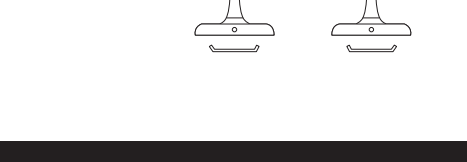

PROVIDENCE® / TEMPRA® COLLECTION

TOWNSEND / COLLEGE CIRCLE™ COLLECTION

Providence® continued				
Dimensions	Item Number	Item Description	Finish	List Price
	116906	Double Robe Hook	Oil Rubbed Bronze	\$15.01
	128049	Double Robe Hook	Soft Brass	\$16.99
	116907	Towel Ring	Oil Rubbed Bronze	\$17.65
	128050	Towel Ring	Soft Brass	\$19.99
	116908	Toilet Paper Holder	Oil Rubbed Bronze	\$30.00
	128051	Toilet Paper Holder	Soft Brass	\$26.99

Tempra®				
Dimensions	Item Number	Item Description	Finish	List Price
	4018PC	18" Towel Bar	Polished Chrome	\$42.91
	4024PC	24" Towel Bar	Polished Chrome	\$44.55
	4002PC	Double Robe Hook	Polished Chrome	\$26.61
	4016PC	Towel Ring	Polished Chrome	\$28.77
	4008PC	Toilet Paper Holder	Polished Chrome	\$40.44

Townsend				
Dimensions	Item Number	Item Description	Finish	List Price
	126627	18" Towel Bar	Satin Nickel	\$44.87
	126632	18" Towel Bar	Venetian Bronze®	\$46.71
	126628	24" Towel Bar	Satin Nickel	\$46.93
	126633	24" Towel Bar	Venetian Bronze®	\$48.87
	126629	Double Robe Hook	Satin Nickel	\$27.38
	126634	Double Robe Hook	Venetian Bronze®	\$28.57
	126630	Towel Ring	Satin Nickel	\$29.69
	126635	Towel Ring	Venetian Bronze®	\$30.94
	126631	Toilet Paper Holder	Satin Nickel	\$40.77
	126651	Toilet Paper Holder	Venetian Bronze®	\$42.50

College Circle™				
Dimensions	Item Number	Item Description	Finish	List Price
	E8900-18PC	18" Towel Bar Only (Aluminum)	Polished Chrome	\$4.35
	E8900-18SN	18" Towel Bar Only (Aluminum)	Satin Nickel	\$5.16
	E8900-24PC	24" Towel Bar Only (Aluminum)	Polished Chrome	\$7.32
	E8900-24SN	24" Towel Bar Only (Aluminum)	Satin Nickel	\$8.75
	E8900-24VB	24" Towel Bar Only (Aluminum)	Venetian Bronze®	\$9.12
	E8900PPC	One Pair of Towel Bar Posts	Polished Chrome	\$15.79
	E8900PSN	One Pair of Towel Bar Posts	Satin Nickel	\$18.91
	E8900PVB	One Pair of Towel Bar Posts	Venetian Bronze®	\$19.68

COLLEGE CIRCLE™ / CENTURA COLLECTION

College Circle™ continued				
Dimensions	Item Number	Item Description	Finish	List Price
	8902PC	Double Robe Hook	Polished Chrome	\$8.20
	8902SN	Double Robe Hook	Satin Nickel	\$9.85
	8902VB	Double Robe Hook	Venetian Bronze®	\$10.22
	8916PC	Towel Ring (Aluminum Ring)	Polished Chrome	\$11.06
	8916SN	Towel Ring (Aluminum Ring)	Satin Nickel	\$13.26
	8916VB	Towel Ring (Aluminum Ring)	Venetian Bronze®	\$13.81
	8908PC	Toilet Paper Holder	Polished Chrome	\$18.43
	8908SN	Toilet Paper Holder	Satin Nickel	\$22.10
	8908VB	Toilet Paper Holder	Venetian Bronze®	\$23.05

Centura				
Dimensions	Item Number	Item Description	Finish	List Price
	E8500A-18	18" Towel Bar Only (Aluminum)	Polished Chrome	\$2.52
	E8500A-24	24" Towel Bar Only (Aluminum)	Polished Chrome	\$3.40
	E8500P	One Pair of Towel Bar Posts	Polished Chrome	\$3.51
	8501	Single Robe Hook	Polished Chrome	\$1.97
	8517	Towel Ring (Plastic Ring)	Polished Chrome	\$5.82

CENTURA / VENTURA COLLECTION

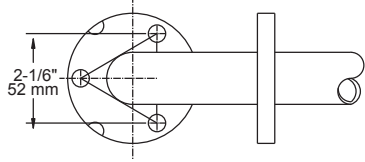
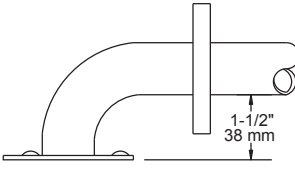
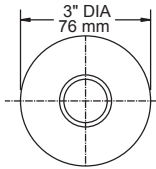
Centura continued				
Dimensions	Item Number	Item Description	Finish	List Price
	8508B	Toilet Paper Holder (Plastic Roller)	Polished Chrome	\$4.68
	8505	Toothbrush & Tumbler Holder	Polished Chrome	\$3.91

Ventura				
Dimensions	Item Number	Item Description	Finish	List Price
	E8200-18PC	18" Towel Bar Only (Aluminum)	Polished Chrome	\$4.21
	E8200-24PC	24" Towel Bar Only (Aluminum)	Polished Chrome	\$5.22
	E8200PPC	One Pair of Towel Bar Posts	Polished Chrome	\$5.74
	8202PC	Double Robe Hook	Polished Chrome	\$2.50
	8216PC	Towel Ring (Aluminum Ring)	Polished Chrome	\$4.86
	8208PC	Toilet Paper Holder (Plastic Roller)	Polished Chrome	\$6.73

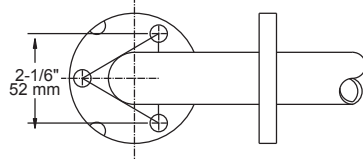
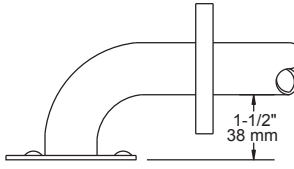
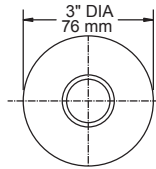
GRAB BARS

GRAB BARS

Grab Bars Grab Bar dimensions are flange center to center distances.

Dimensions	Item Number	Item Description	Finish	List Price
	5612	1-1/2" dia. x 12" Grab Bar, Concealed Mounting	Stainless Steel	\$30.33
	5612W	1-1/2" dia. x 12" Grab Bar, Concealed Mounting	White	\$40.83
	5616	1-1/2" dia. x 16" Grab Bar, Concealed Mounting	Stainless Steel	\$32.70
	5618BS	1-1/2" dia. x 18" Grab Bar, Concealed Mounting	Bright Stainless Steel	\$43.27
	5618PSBS	1-1/2" dia. x 18" Grab Bar, Concealed Mounting	Peened & Bright Stainless	\$42.63
	5618PS	1-1/2" dia. x 18" Grab Bar, Concealed Mounting	Peened & Satin Stainless Steel	\$43.27
	5618	1-1/2" dia. x 18" Grab Bar, Concealed Mounting	Stainless Steel	\$33.27
	5618W	1-1/2" dia. x 18" Grab Bar, Concealed Mounting	White	\$43.27
	5624BS	1-1/2" dia. x 24" Grab Bar, Concealed Mounting	Bright Stainless Steel	\$50.06
	5624PSBS	1-1/2" dia. x 24" Grab Bar, Concealed Mounting	Peened & Bright Stainless	\$47.73
	5624PS	1-1/2" dia. x 24" Grab Bar, Concealed Mounting	Peened & Satin Stainless Steel	\$50.06
	5624	1-1/2" dia. x 24" Grab Bar, Concealed Mounting	Stainless Steel	\$37.12
	5624W	1-1/2" dia. x 24" Grab Bar, Concealed Mounting	White	\$47.77
	5630	1-1/2" dia. x 30" Grab Bar, Concealed Mounting	Stainless Steel	\$43.17
	5632	1-1/2" dia. x 32" Grab Bar, Concealed Mounting	Stainless Steel	\$44.34
	5636BS	1-1/2" dia. x 36" Grab Bar, Concealed Mounting	Bright Stainless Steel	\$63.24
	5636PSBS	1-1/2" dia. x 36" Grab Bar, Concealed Mounting	Peened & Bright Stainless	\$60.93
	5636PS	1-1/2" dia. x 36" Grab Bar, Concealed Mounting	Peened & Satin Stainless Steel	\$63.24
	5636	1-1/2" dia. x 36" Grab Bar, Concealed Mounting	Stainless Steel	\$44.68
	5636W	1-1/2" dia. x 36" Grab Bar, Concealed Mounting	White	\$56.01

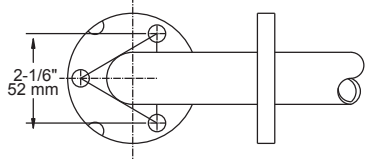
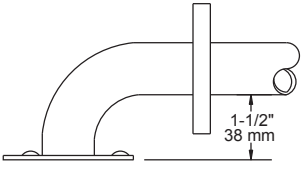
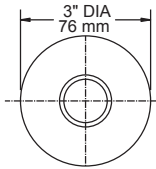
Grab Bars continued Grab Bar dimensions are flange center to center distances.

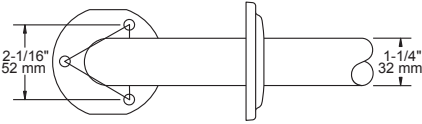
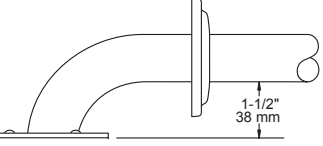
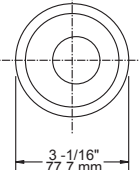
Dimensions	Item Number	Item Description	Finish	List Price
	5642PS	1-1/2" dia. x 42" Grab Bar, Concealed Mounting	Peened & Satin Stainless Steel	\$69.55
	5642	1-1/2" dia. x 42" Grab Bar, Concealed Mounting	Stainless Steel	\$48.42
	5642W	1-1/2" dia. x 42" Grab Bar, Concealed Mounting	White	\$63.34
	5648	1-1/2" dia. x 48" Grab Bar, Concealed Mounting	Stainless Steel	\$58.00
	5712BS	1-1/4" dia. x 12" Grab Bar, Concealed Mounting	Bright Stainless Steel	\$38.52
	5712SN	1-1/4" dia. x 12" Grab Bar, Concealed Mounting	Satin Nickel	\$38.52
	5712	1-1/4" dia. x 12" Grab Bar, Concealed Mounting	Stainless Steel	\$26.85
	5712W	1-1/4" dia. x 12" Grab Bar, Concealed Mounting	White	\$36.15
	5716W	1-1/4" dia. x 16" Grab Bar, Concealed Mounting	White	\$38.52
	5718BS	1-1/4" dia. x 18" Grab Bar, Concealed Mounting	Bright Stainless Steel	\$42.00
	5718	1-1/4" dia. x 18" Grab Bar, Concealed Mounting	Stainless Steel	\$29.81
	5718W	1-1/4" dia. x 18" Grab Bar, Concealed Mounting	White	\$38.73
	5724BS	1-1/4" dia. x 24" Grab Bar, Concealed Mounting	Bright Stainless Steel	\$48.32
	5724SN	1-1/4" dia. x 24" Grab Bar, Concealed Mounting	Satin Nickel	\$48.32
	5724	1-1/4" dia. x 24" Grab Bar, Concealed Mounting	Stainless Steel	\$33.22
	5724W	1-1/4" dia. x 24" Grab Bar, Concealed Mounting	White	\$43.07
	5730SN	1-1/4" dia. x 30" Grab Bar, Concealed Mounting	Satin Nickel	\$46.50
	5730	1-1/4" dia. x 30" Grab Bar, Concealed Mounting	Stainless Steel	\$35.50
	5736BS	1-1/4" dia. x 36" Grab Bar, Concealed Mounting	Bright Stainless Steel	\$60.95
	5736	1-1/4" dia. x 36" Grab Bar, Concealed Mounting	Stainless Steel	\$40.18

GRAB BARS

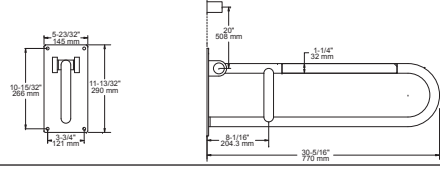
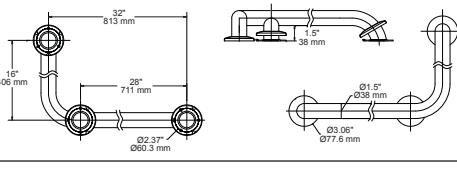
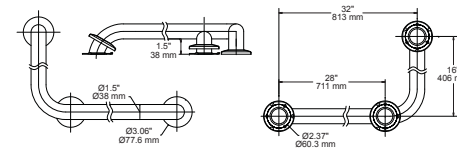
GRAB BARS / GRAB BAR ACCESSORIES / ASSIST BARS

Grab Bars continued Grab Bar dimensions are flange center to center distances.

Dimensions	Item Number	Item Description	Finish	List Price
	5736W	1-1/4" dia. x 36" Grab Bar, Concealed Mounting	White	\$50.16
	5742BS	1-1/4" dia. x 42" Grab Bar, Concealed Mounting	Bright Stainless Steel	\$66.61
	5742	1-1/4" dia. x 42" Grab Bar, Concealed Mounting	Stainless Steel	\$44.13
	5742W	1-1/4" dia. x 42" Grab Bar, Concealed Mounting	White	\$58.69
	5748BS	1-1/4" dia. x 48" Grab Bar, Concealed Mounting	Bright Stainless Steel	\$72.93
	5748	1-1/4" dia. x 48" Grab Bar, Concealed Mounting	Stainless Steel	\$58.38
	5748W	1-1/4" dia. x 48" Grab Bar, Concealed Mounting	White	\$78.75
	6318	1-1/2" dia. x 18" Grab Bar, Exposed Mounting	Stainless Steel	\$29.63
	6324	1-1/2" dia. x 24" Grab Bar, Exposed Mounting	Stainless Steel	\$33.37
	6330	1-1/2" dia. x 30" Grab Bar, Exposed Mounting	Stainless Steel	\$36.15
	6332	1-1/2" dia. x 32" Grab Bar, Exposed Mounting	Stainless Steel	\$36.97
	6336	1-1/2" dia. x 36" Grab Bar, Exposed Mounting	Stainless Steel	\$40.96
	6342	1-1/2" dia. x 42" Grab Bar, Exposed Mounting	Stainless Steel	\$44.89
	6348	1-1/2" dia. x 48" Grab Bar, Exposed Mounting	Stainless Steel	\$59.26

	5918BS	1-1/4" dia. x 18" Grab Bar with Decorative Flange, Concealed Mounting	Bright Stainless Steel	\$60.66
	5918SN	1-1/4" dia. x 18" Grab Bar with Decorative Flange, Concealed Mounting	Satin Nickel	\$60.66
	5924BS	1-1/4" dia. x 24" Grab Bar with Decorative Flange, Concealed Mounting	Bright Stainless Steel	\$67.68
	5924SN	1-1/4" dia. x 24" Grab Bar with Decorative Flange, Concealed Mounting	Satin Nickel	\$67.68
	5936BS	1-1/4" dia. x 36" Grab Bar with Decorative Flange, Concealed Mounting	Bright Stainless Steel	\$77.56
	5936SN	1-1/4" dia. x 36" Grab Bar with Decorative Flange, Concealed Mounting	Satin Nickel	\$77.56

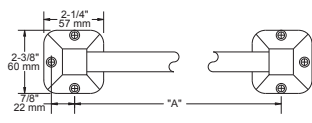
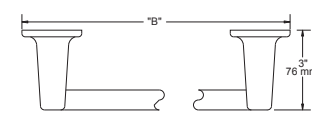
Grab Bars continued Grab Bar dimensions are flange center to center distances.

Dimensions	Item Number	Item Description	Finish	List Price
	5215	Swing Up Grab Bar	Stainless Steel	\$215.78
N/A	5666	1-1/2" dia. x 36" x 52" 90 Degree Angle Bar, Horizontal	Stainless Steel	\$118.18
	5682LH	1-1/2" dia. x 16" x 32" 90 Degree Angle Bar, Left	Stainless Steel	\$90.47
	5682RH	1-1/2" dia. x 16" x 32" 90 Degree Angle Bar, Right	Stainless Steel	\$90.47

Grab Bar Accessories

Dimensions	Item Number	Item Description	Finish	List Price
N/A	S1F547	Handheld Showerhead Holder	White	\$10.98
N/A	S1F548	Grab Bar Anchor for Non-Stud Mount	White	\$10.98

Assist Bars

Dimensions	Item Number	Item Description	Finish	List Price
	S1F509PC	9" Residential Assist Bar	Polished Chrome	\$24.99
	S1F509W	9" Residential Assist Bar	White	\$23.15
	S1F516PC	16" Residential Assist Bar	Polished Chrome	\$28.28
	S1F516W	16" Residential Assist Bar	White	\$24.31
	S1F524PC	24" Residential Assist Bar	Polished Chrome	\$33.71
	S1F524W	24" Residential Assist Bar	White	\$28.28

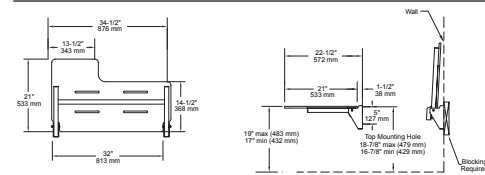
LENGTH	9"	16"	24"
	(229 mm)	(406 mm)	(610 mm)
DIM "A"	8-3/8"	15-3/8"	23-3/8"
	(213 mm)	(391 mm)	(594 mm)
DIM "B"	10-5/8"	17-5/8"	25-5/8"
	(270 mm)	(448 mm)	(651 mm)

TUB, SHOWER & TOILET SAFETY

CURVED SHOWER RODS / SHOWER RODS

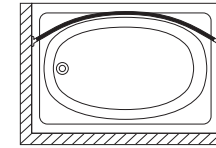
Tub, Shower & Toilet Safety				
Dimensions	Item Number	Item Description	Finish	List Price
	S1F597W	Designer Adjustable Seat	White	\$78.47
	S1F600W	Designer Adjustable Chair	White	\$103.20
	S1F566W	Designer Adjustable Bench	White	\$174.46
	S1F595	Tub & Shower Seat	White	\$45.82
	S1F596	Adjustable Tub & Shower Seat	White	\$70.02
	S1F545	6-3/4" x 18" Bath & Shower Safety Tread Strips	White	\$6.88
	SF598	Tub & Shower Chair	White	\$79.37
	S1F599	Adjustable Tub & Shower Chair	White	\$102.69
	S1F544	2" & 3-1/4" No-Slip Shapes (5 each)	White	\$6.11
	S1F565	Adjustable Tub Transfer Bench	Gray	\$183.65
	FB560	Tub Safety Board	White	\$113.33
	SF590	1" Tub Safety Bar	White	\$51.21
	S1F585	1" Multi-Grip Tub Bar	White	\$57.04
	SF580	1" High Profile Tub Bar	White	\$54.29
	S1FE571W	Elevated Toilet Seat with Locking Lever - Elongated	White	\$51.11
	S1FR571W	Elevated Toilet Seat with Locking Lever - Round	White	\$50.51
	S1F575	Toilet Safety Bar	White	\$58.25
	S1F570	Elevated Toilet Seat	White	\$40.80

N/A

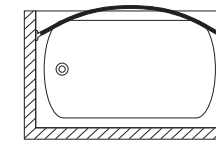


5404RH	Right Hand Shower Seat with Phenolic Slats	Stainless Steel & Oak	\$520.21
5404LH	Left Hand Shower Seat with Phenolic Slats	Stainless Steel & Oak	\$520.21

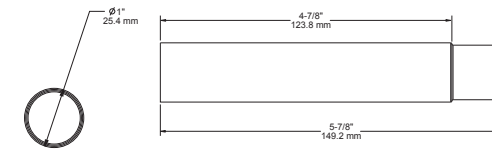
Curved Shower Rods				
Dimensions	Item Number	Item Description	Finish	List Price
	190-5BS	1" x 5' Shower Rod with Brackets (9" Bow)	Bright Stainless	\$61.99
	190-6BS	1" x 6' Shower Rod with Brackets (9" Bow)	Bright Stainless	\$67.50
	190-5SN	1" x 5' Shower Rod with Brackets (9" Bow)	Satin Nickel	\$66.51
	190-6SN	1" x 6' Shower Rod with Brackets (9" Bow)	Satin Nickel	\$71.50
	190-5W	1" x 5' Shower Rod with Brackets (9" Bow)	White	\$54.50
	190CP-PC	Screw Hole Cover Plate (1 pair)	Polished Chrome	\$9.30
	190CP-SN	Screw Hole Cover Plate (1 pair)	Satin Nickel	\$12.16



Oval Tub

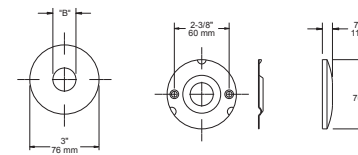
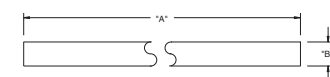
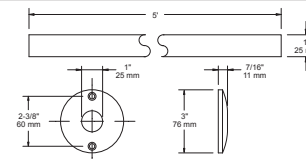


Standard Tub



E190BSX	5" Stainless Steel Curved Rod Extender	Bright Stainless	\$8.22
---------	--	------------------	--------

Shower Rods				
Dimensions	Item Number	Item Description	Finish	List Price
	161-5	1" x 5' Stainless Steel Rod with Steel Flanges, Exposed Screws	Bright Stainless	\$37.97
	E161FL	3" Stainless Steel Flange only, used on 161-5 Rod, Exposed Screws	Bright Stainless	\$10.99
	161CS-5	1" x 5' Stainless Steel Rod with Flanges, Concealed Screws	Bright Stainless	\$43.95
	161CS-6	1" x 6' Stainless Steel Rod with Flanges, Concealed Screws	Bright Stainless	\$50.88
	E161FLCS	3" Stainless Steel Flanges and Hangers used on 161CS-5 and 161CS-6 Rods, Concealed Screws	Bright Stainless	\$14.14
	167CS-5	1-1/4" x 5' Stainless Steel Rod with Flanges, Concealed Screws	Bright Stainless	\$57.26
	167CS-6	1-1/4" x 6' Stainless Steel Rod with Flanges, Concealed Screws	Bright Stainless	\$65.94
	E167FLCS	3" Stainless Steel Flanges and Hangers used on 167CS-5 and 167CS-6 Rods, Concealed Screws	Bright Stainless	\$21.99

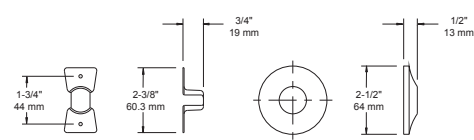
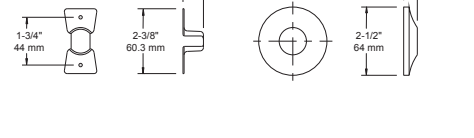
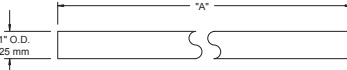

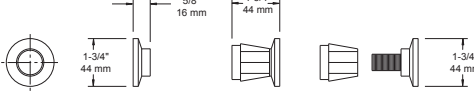

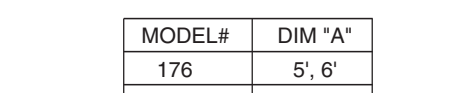








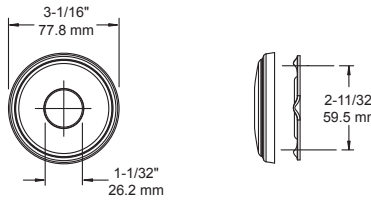
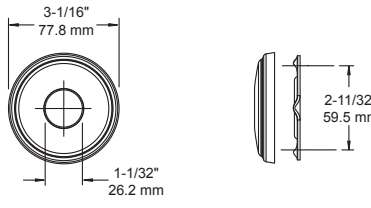
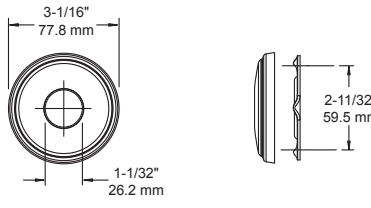
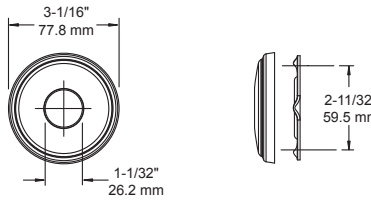


MODEL#	DIM "A"	DIM "B"
161CS	5', 6'	1" (25 mm) O.D.
167CS	5'	1-1/4" (32 mm) O.D.

SHOWER RODS

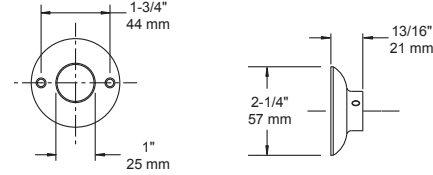
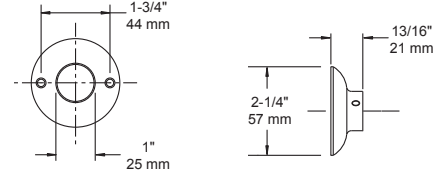
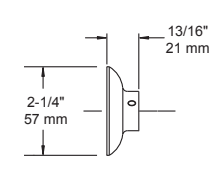
SHOWER RODS / RECESSED FIXTURES

Shower Rods continued

Dimensions	Item Number	Item Description	Finish	List Price
	176-5	1" x 5' Stainless Steel Rod with Flanges and Hangers, Concealed Screws	Bright Stainless	\$17.75
	176-6	1" x 6' Stainless Steel Rod with Flanges and Hangers, Concealed Screws	Bright Stainless	\$19.75
	E176-5	1" x 5' Stainless Steel Rod without Flanges or Hangers	Bright Stainless	\$8.17
	E176-6	1" x 6' Stainless Steel Rod without Flanges or Hangers	Bright Stainless	\$13.92
	E176FL	Stainless Steel Flanges and Hangers used for 176 and 177 Series Rods, Concealed Screws	Bright Stainless	\$5.56
	176H-5	1" x 5' Stainless Steel Rod with Zamack Adjustable Holders	Bright Stainless	\$18.06
	176H-6	1" x 6' Stainless Steel Rod with Zamack Adjustable Holders	Bright Stainless	\$20.95
	176HP-5	1" x 5' Stainless Steel Rod with Plastic Adjustable Holders	Bright Stainless	\$16.74
	176HP-6	1" x 6' Stainless Steel Rod with Plastic Adjustable Holders	Bright Stainless	\$17.88
	D77	Plastic Adjustable Shower Rod Holders for 176HP-5 and 176HP-6	Polished Chrome	\$4.39
	177-5	1" x 5' Aluminum Shower Rod with Steel Flanges, Concealed Screws	Aluminum	\$11.83
	177-6	1" x 6' Aluminum Shower Rod with Steel Flanges, Concealed Screws	Aluminum	\$14.09
	E177-5	1" x 5' Aluminum Shower Rod without flanges	Aluminum	\$8.81
	E177-6	1" x 6' Aluminum Shower Rod without flanges	Aluminum	\$8.19
	E176FL	Stainless Steel Flanges and Hangers used for 176 and 177 Series Rods, Concealed Screws	Bright Stainless	\$5.56
	185-5BS	1" x 5' Stainless Steel Rod with Step Style Flanges, Concealed Screws	Bright Stainless	\$51.47
	185-6BS	1" x 6' Stainless Steel Rod with Step Style Flanges, Concealed Screws	Bright Stainless	\$58.47
	185-5SN	1" x 5' Stainless Steel Rod with Step Style Flanges, Concealed Screws	Satin Nickel	\$51.47
	185-6SN	1" x 6' Stainless Steel Rod with Step Style Flanges, Concealed Screws	Satin Nickel	\$58.47

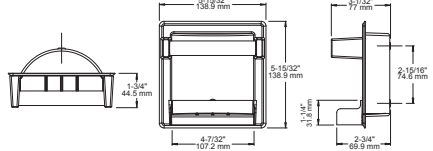
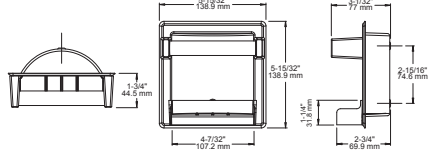
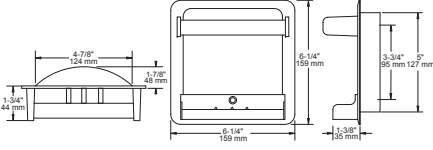
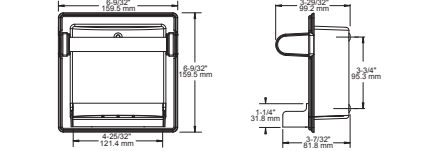
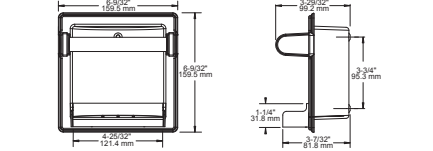
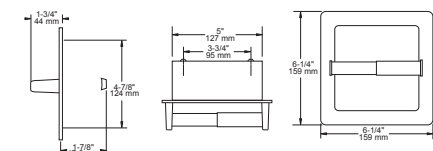
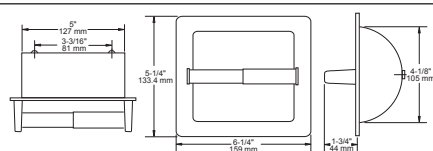
MODEL#	DIM "A"
176	5', 6'
176H	5', 6'
176HP	5', 6'
177	5', 6'

Shower Rods continued

Dimensions	Item Number	Item Description	Finish	List Price
	B105-5	1" x 5' Stainless Steel Rod, Exposed Screws	Polished Chrome	\$39.43
	B110-5	1" x 5' Stainless Steel Rod, Exposed Screws	Polished Chrome	\$34.16
	E110FL	2-1/4" Flange for B110-5 Rod, Exposed Screws	Polished Chrome	\$7.79
	D175-5	1" x 5' Aluminum Shower Rod with Brass Flanges	Aluminum	\$11.83
	D175-6	1" x 6' Aluminum Shower Rod with Brass Flanges	Aluminum	\$13.59
	D174	Aluminum Adjustable Shower and Closet Tension Rod	Aluminum	\$14.09
	E71	Solid Brass Shower Roller Curtain Pin	Polished Nickel	\$13.98
	E72	Solid Brass Shower Curtain Pin	Polished Chrome	\$11.44
	E74	Shower Glide Hook	Polished Chrome	\$21.75

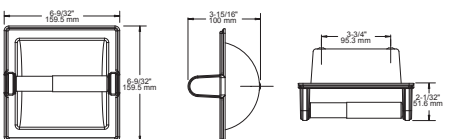
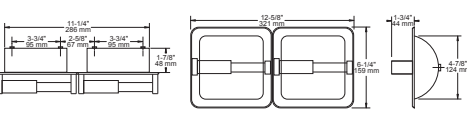
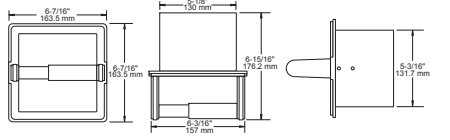
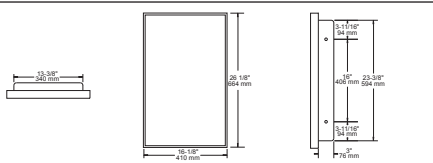
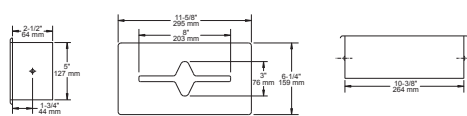
N/A

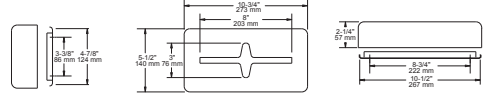
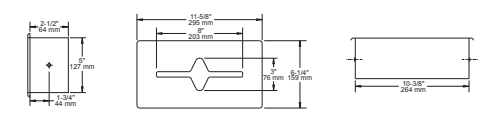
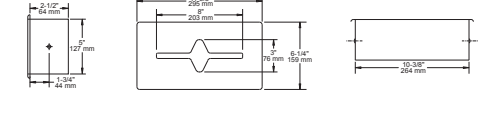
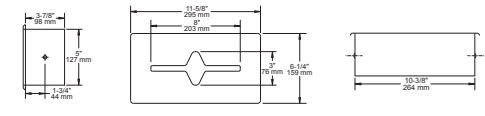
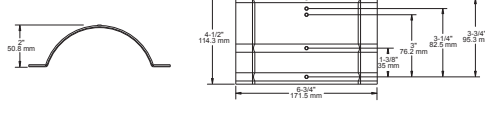
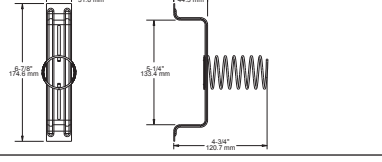
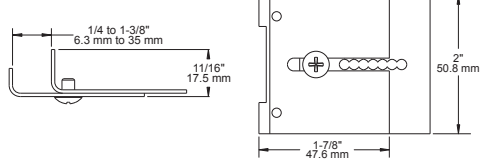
Recessed Fixtures

Dimensions	Item Number	Item Description	Finish	List Price
	858	Brass Recessed Soap Dish with Bar	Bright Stainless	\$27.08
	E850	Removable Soap Dish	Clear	\$1.48
	608	Recessed Soap Dish with Bar	Polished Chrome	\$36.18
	9098PC	Recessed Soap Dish with Bar and Beveled Edges	Polished Chrome	\$27.80
	9098SN	Recessed Soap Dish with Bar and Beveled Edges	Satin Nickel	\$30.59
	657B	Stainless Steel Recessed Paper Holder with Plastic Roller	Bright Stainless	\$19.31
	807B	Brass Recessed Paper Holder with Plastic Roller	Polished Chrome	\$23.34

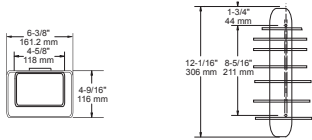
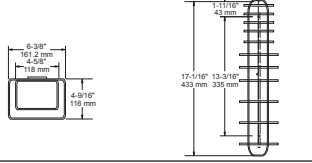
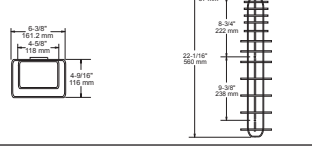
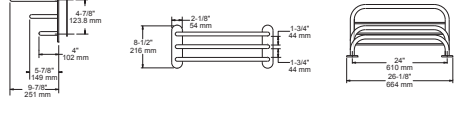
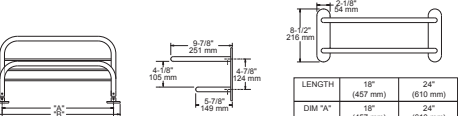
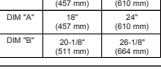
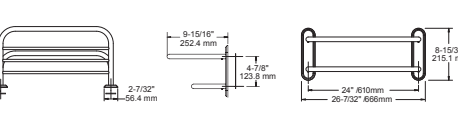

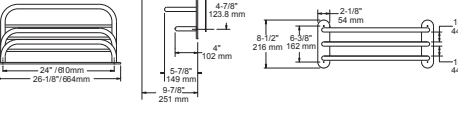
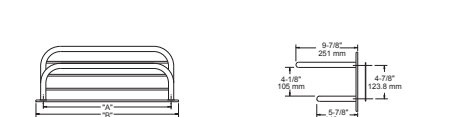
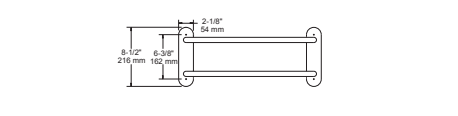
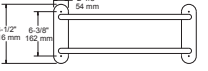
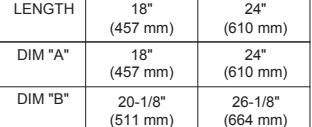
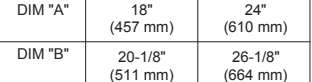
RECESSED FIXTURES

RECESSED FIXTURES

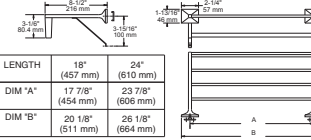

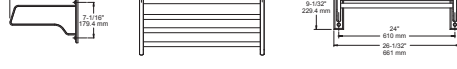
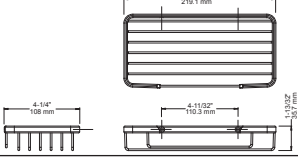
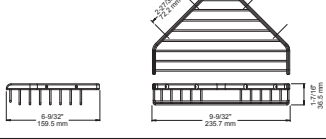
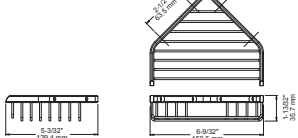
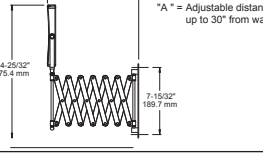
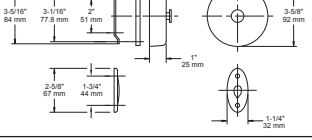
Recessed Fixtures continued				
Dimensions	Item Number	Item Description	Finish	List Price
N/A	607C	Brass Recessed Paper Holder with Brass Roller	Polished Chrome	\$36.47
	1607B	Brass Recessed Paper Holder with Plastic Roller	Polished Chrome	\$24.56
	607B	Brass Recessed Paper Holder with Plastic Roller	Polished Chrome	\$30.23
	9097SN	Recessed Toilet Paper Holder with Beveled Edges	Satin Nickel	\$42.48
	9097PC	Recessed Toilet Paper Holder with Beveled Edges	Polished Chrome	\$39.24
	979	Stainless Steel Recessed Twin Paper Holder, Vertical	Bright Stainless	\$43.73
	977	Stainless Steel Recessed Twin Paper Holder, Horizontal	Bright Stainless	\$42.52
	970	Stainless Steel Recessed Extra Roll Paper Holder	Bright Stainless	\$29.16
	972PC	Stainless Steel Recessed Extra Roll Paper Holder, Beveled	Polished Chrome	\$33.55
N/A	972SN	Stainless Steel Recessed Extra Roll Paper Holder, Beveled	Satin Nickel	\$36.15
N/A	EROLLC	Replacement Toilet Paper Roller	Polished Chrome	\$5.49
	EROLLB	Replacement Toilet Paper Roller	Gray	\$1.09
	1340	Steel Recessed Medicine Cabinet	Polished Chrome	\$93.26
	919	Steel Recessed Vanity Tissue Cabinet	Galvanized	\$15.83
	928PC	Stainless Steel Recessed Tissue Cabinet with Beveled Edges	Polished Chrome	\$46.50

Recessed Fixtures continued				
Dimensions	Item Number	Item Description	Finish	List Price
	915	Steel Surface Tissue Cabinet	Polished Chrome	\$23.05
	925	Stainless Steel Shallow Recessed Tissue Cabinet	Polished Chrome	\$18.92
	E925C	Stainless Steel Snap on Cover	Polished Chrome	\$11.72
N/A	935	Stainless Steel Shallow Recessed Tissue Cabinet	Bright Stainless	\$25.94
	E930C	Stainless Steel Snap on Cover	Bright Stainless	\$19.03
	600R	Recessed Wall Clamp	Zinc Plated	\$4.11
	601R	Recessed Wall Clamp, Speedy Set Type	Zinc Plated	\$4.11
	BU901R	Recessed Wall Clamp	Zinc Plated	\$4.44

TOWEL SHELVES

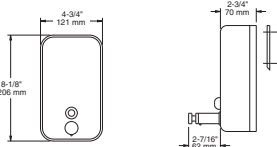
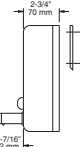
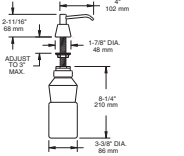
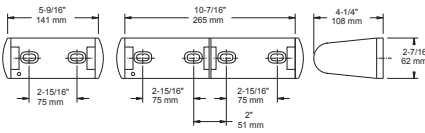
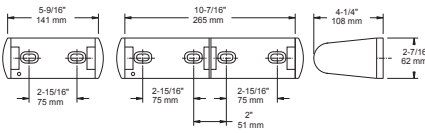
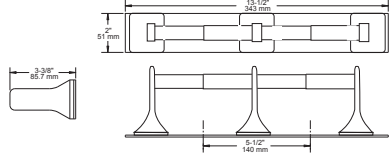
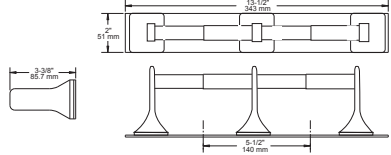
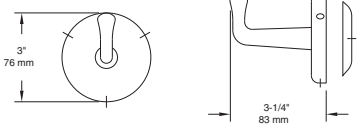
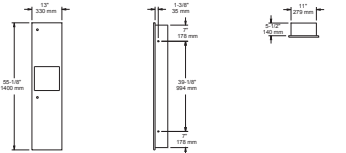
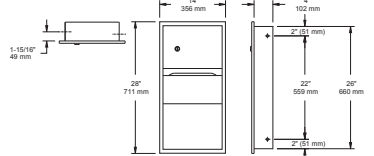
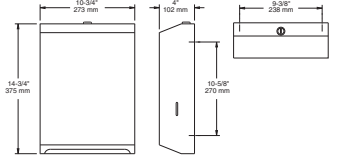
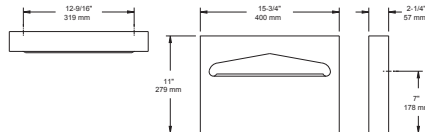
Towel Shelves				
Dimensions	Item Number	Item Description	Finish	List Price
	950	2 Guest Towel Unit	Polished Chrome	\$19.10
	955	3 Guest Towel Unit	Polished Chrome	\$23.53
	960	4 Guest Towel Unit	Polished Chrome	\$31.34
	2789PC	24" Brass Towel Shelf with Two Bars, Concealed Mounting	Polished Chrome	\$179.76
	2787PC	18" Brass Towel Shelf with One Bar, Concealed Mounting	Polished Chrome	\$145.52
	D2788PC	24" Brass Towel Shelf with One Bar, Concealed Mounting	Polished Chrome	\$157.30
	2790PC	24" Brass Towel Shelf with Brass Step Style Beveled Flanges and One Bar, Concealed Mounting	Polished Chrome	\$160.50
	2790SN	24" Brass Towel Shelf with Brass Step Style Beveled Flanges and One Bar, Concealed Mounting	Satin Nickel	\$171.20
	2783PC	24" Brass Towel Shelf with Two Bars, Exposed Mounting	Polished Chrome	\$163.72
	2782PC	24" Brass Towel Shelf with One Bar, Exposed Mounting	Polished Chrome	\$146.59
	2784PC	18" Brass Towel Shelf with One Bar, Exposed Mounting	Polished Chrome	\$136.97
	2780SN	24" Stainless Steel Towel Shelf with One Bar, Exposed Mounting	Satin Nickel	\$98.85
	2780SS	24" Stainless Steel Towel Shelf with One Bar, Exposed Mounting	Bright Stainless Steel	\$90.63
	2781SS	18" Stainless Steel Towel Shelf with One Bar, Exposed Mounting	Bright Stainless Steel	\$87.64

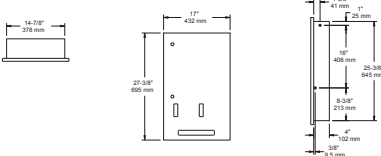
TOWEL SHELVES / GUEST ROOM

Towel Shelves continued				
Dimensions	Item Number	Item Description	Finish	List Price
	F1454	18" Towel Shelf with Bars & Support Braces (304 Stainless Steel Bars)	Polished Chrome	\$65.60
	F1459	24" Towel Shelf with Bars & Support Braces (304 Stainless Steel Bars)	Polished Chrome	\$66.51
Guest Room				
Dimensions	Item Number	Item Description	Finish	List Price
	5124	24" Length Hat & Coat Rack	Red Oak & Polished Chrome	\$67.19
	B9789	Stainless Steel Wire Soap Dish	Bright Stainless Steel	\$27.13
	B9791	Stainless Steel Large Corner Caddy	Bright Stainless Steel	\$27.50
	B9790	Stainless Steel Small Corner Caddy	Bright Stainless Steel	\$22.56
	D912PC	4" x 6-1/2" Steel Square Extension Mirror	Polished Chrome	\$39.87
	910	6' Stainless Steel Retractable Clothesline	Polished Chrome	\$28.72
N/A	944SF	Stainless Steel Bottle Opener	Stainless	\$5.82
N/A	F1321	Pair of Lavatory Legs	Polished Chrome	\$28.66

PUBLIC WASHROOM

PUBLIC WASHROOM

Public Washroom				
Dimensions	Item Number	Item Description	Finish	List Price
	1921	Stainless Steel Horizontal Liquid Soap Dispenser	Satin Stainless/ Polished Chrome	\$74.38
	1920	Stainless Steel Vertical Liquid Soap Dispenser	Satin Stainless/ Polished Chrome	\$74.38
	1924	Brass Basin Mounted Liquid Soap Dispenser	Polished Chrome	\$72.95
	1974	Single Roll Deluxe Paper Holder	Polished Chrome	\$19.42
	1976	Double Roll Deluxe Paper Holder	Polished Chrome	\$29.65
	980C	Twin Paper Holder with 2 Brass Rollers	Polished Chrome	\$32.80
	980B	Twin Paper Holder with 2 Plastic Rollers	Polished Chrome	\$27.81
	1902	Brass Towel and Robe Hook	Polished Chrome	\$52.22
N/A	1968	Stainless Steel Surface Spare Roll Paper Holder	Stainless Steel	\$103.82
	1981	Stainless Steel Recessed Towel Dispenser and Waste Receptacle	Stainless Steel	\$599.61
	1982	Stainless Steel Recessed Towel Dispenser and Waste Receptacle	Stainless Steel	\$279.86
	1955	Stainless Steel Multi-Fold/C-Fold Towel Dispenser	Satin Stainless Steel	\$87.39
	1987	Stainless Steel Toilet Seat Cover Cabinet	Stainless Steel	\$57.06

Public Washroom continued				
Dimensions	Item Number	Item Description	Finish	List Price
	1986	Stainless Steel Sanitary Napkin-Tampon Vendor	Stainless Steel	\$687.00
	1985	Stainless Steel Sanitary Napkin Receptacle	Stainless Steel	\$54.26

Item Number	Page Number	Item Number	Page Number	Item Number	Page Number	Item Number	Page Number
608.....	41	5616.....	34	75055.....	18	103310.....	22
858.....	41	5618.....	34	75056.....	18	103328.....	22
910.....	45	5624.....	34	75060.....	19	103329.....	22
915.....	43	5630.....	34	75224.....	17	103330.....	22
919.....	42	5632.....	34	77118.....	8	103331.....	23
925.....	43	5636.....	34	77124.....	8	113425.....	19
935.....	43	5642.....	35	77135.....	8	116904.....	29
950.....	44	5648.....	35	77146.....	8	116905.....	29
955.....	44	5666.....	37	77150.....	8	116906.....	30
960.....	44	5712.....	35	77518.....	6	116907.....	30
970.....	42	5718.....	35	77524.....	6	116908.....	30
977.....	42	5724.....	35	77535.....	6	123077.....	29
979.....	42	5730.....	35	77546.....	6	123078.....	29
1340.....	42	5736.....	35	77550.....	6	123079.....	29
1416.....	24	5742.....	36	77612.....	16	123081.....	29
1418.....	23	5748.....	36	77718.....	15	123082.....	29
1424.....	23	6318.....	36	77724.....	15	125858.....	22
1470.....	25	6324.....	36	77736.....	15	125859.....	22
1902.....	46	6330.....	36	77746.....	15	125860.....	23
1920.....	46	6332.....	36	77750.....	15	125861.....	22
1921.....	46	6336.....	36	77818.....	11	125862.....	22
1924.....	46	6342.....	36	77824.....	11	125863.....	22
1955.....	46	6348.....	36	77835.....	12	125864.....	22
1968.....	46	8501.....	32	77846.....	12	125865.....	22
1974.....	46	8505.....	33	77850.....	12	125866.....	23
1976.....	46	8517.....	32	79010.....	10	125867.....	22
1981.....	46	73818.....	8	79018.....	9	126627.....	31
1982.....	46	73824.....	8	79024.....	9	126628.....	31
1985.....	47	73835.....	9	79025.....	10	126629.....	31
1986.....	47	73846.....	9	79026.....	10	126630.....	31
1987.....	46	73850.....	9	79035.....	10	126631.....	31
5124.....	45	74018.....	14	79047.....	10	126632.....	31
5215.....	37	74024.....	14	79050.....	10	126633.....	31
5501.....	21	74030.....	14	79055.....	11	126634.....	31
5502.....	21	74036.....	14	79056.....	11	126635.....	31
5516.....	21	74046.....	15	79061.....	11	126651.....	31
5518.....	21	74050.....	15	79062.....	11	127678.....	28
5524.....	21	75018.....	16	79218.....	5	127679.....	27
5530.....	21	75024.....	16	79224.....	5	127680.....	27
5557.....	22	75035.....	17	79235.....	5	127681.....	27
5566.....	22	75046.....	17	79246.....	5	127682.....	26
5612.....	34	75050.....	18	79250.....	5	127683.....	26

Item Number	Page Number	Item Number	Page Number	Item Number	Page Number	Item Number	Page Number
127684.....	28	127775.....	20	133057.....	12	4002PC.....	30
127685.....	26	127776.....	20	133058.....	12	4008PC.....	30
127697.....	26	128047.....	29	1050-SN.....	20	4016PC.....	30
127700.....	26	128048.....	29	1408B.....	24	4018PC.....	30
127701.....	27	128049.....	30	1408P.....	24	4024PC.....	30
127708.....	26	128050.....	30	1418A.....	23	4602PC.....	28
127712.....	27	128051.....	30	1424A.....	23	4602SN.....	28
127720.....	28	128883.....	6	1607B.....	42	4608PC.....	29
127721.....	27	128884.....	6	161-5.....	39	4608SN.....	29
127722.....	27	128885.....	6	161CS-5.....	39	4616PC.....	29
127723.....	27	128886.....	7	161CS-6.....	39	4616SN.....	29
127724.....	26	128887.....	7	167CS-5.....	39	4618PC.....	28
127725.....	26	128888.....	6	167CS-6.....	39	4618SN.....	28
127726.....	28	128889.....	6	176-5.....	40	4624PC.....	28
127727.....	26	128890.....	6	176-6.....	40	4624SN.....	28
127728.....	26	128891.....	7	176H-5.....	40	4630PC.....	28
127729.....	28	128892.....	7	176H-6.....	40	4630SN.....	28
127730.....	27	128893.....	6	176HP-5.....	40	5404LH.....	38
127731.....	27	128894.....	6	176HP-6.....	40	5404RH.....	38
127732.....	27	128895.....	6	177-5.....	40	5501SF.....	21
127733.....	26	128896.....	7	177-6.....	40	5502SF.....	21
127734.....	26	128897.....	7	185-5BS.....	40	5507B.....	21
127735.....	28	132886.....	13	185-5SN.....	40	5507BSF.....	21
127736.....	26	132887.....	13	185-6BS.....	40	5508B.....	21
127743.....	26	132888.....	13	185-6SN.....	40	5508BSF.....	21
127746.....	27	132889.....	13	190-5BS.....	39	5516SF.....	21
127759.....	20	132890.....	13	190-5SN.....	39	5518SF.....	21
127760.....	20	132891.....	13	190-5W.....	39	5524SF.....	21
127761.....	20	132892.....	13	190-6BS.....	39	5567B.....	22
127762.....	20	133044.....	7	190-6SN.....	39	5612W.....	34
127763.....	20	133045.....	7	190CP-PC.....	39	5618BS.....	34
127764.....	20	133046.....	7	190CP-SN.....	39	5618PS.....	34
127765.....	20	133047.....	7	2780SN.....	44	5618PSBS.....	34
127766.....	20	133048.....	7	2780SS.....	44	5618W.....	34
127767.....	20	133049.....	13	2781SS.....	44	5624BS.....	34
127768.....	21	133050.....	13	2782PC.....	44	5624PS.....	34
127769.....	21	133051.....	14	2783PC.....	44	5624PSBS.....	34
127770.....	21	133052.....	13	2784PC.....	44	5624W.....	34
127771.....	20	133053.....	13	2787PC.....	44	5636BS.....	34
127772.....	20	133054.....	12	2789PC.....	44	5636PS.....	34
127773.....	20	133055.....	12	2790PC.....	44	5636PSBS.....	34
127774.....	20	133056.....	12	2790SN.....	44	5636W.....	34

Item Number	Page Number	Item Number	Page Number	Item Number	Page Number	Item Number	Page Number
5642PS	35	73846-SS	9	75050-NN	18	77818-SS	11
5642W	35	73850-PT	9	75050-PB	18	77824-RB	11
5682LH	37	73850-RB	9	75050-PT	18	77824-SS	11
5682RH	37	73850-SS	9	75050-RB	18	77835-RB	12
5712BS	35	74018CB	14	75050-SS	18	77835-SS	12
5712SN	35	74018NN	14	75055-NN	18	77846-RB	12
5712W	35	74018PB	14	75055-PB	18	77846-SS	12
5716W	35	74024B	14	75055-PT	18	77850-RB	12
5718BS	35	74024CB	14	75055-RB	18	77850-SS	12
5718W	35	74024NN	14	75055-SS	18	79010-PT	10
5724BS	35	74030CB	14	75056-NN	18	79010-SS	10
5724SN	35	74030NN	14	75056-PB	18	79018-PT	9
5724W	35	74036CB	14	75056-PT	18	79018-SS	9
5730SN	35	74036NN	14	75056-RB	18	79024-PT	9
5736BS	35	74036PB	14	75056-SS	18	79024-SS	9
5736W	36	74046CB	15	75060-NN	19	79025-PT	10
5742BS	36	74046NN	15	75060-PB	19	79025-SS	10
5742W	36	74046PB	15	75060-PT	19	79026-PT	10
5748BS	36	74050CB	15	75060-RB	19	79026-SS	10
5748W	36	74050NN	15	75060-SS	19	79035-PT	10
5918BS	36	74050PB	15	75224-NN	17	79035-SS	10
5918SN	36	75010-RB	18	75224-PB	17	79047-PT	10
5924BS	36	75018-NN	16	75224-PT	17	79047-SS	10
5924SN	36	75018-PB	16	75224-RB	17	79050-PT	10
5936BS	36	75018-PT	16	75224-SS	17	79050-SS	10
5936SN	36	75018-RB	16	77118-SS	8	79055-PT	11
600R	43	75018-SS	16	77124-SS	8	79055-SS	11
601R	43	75024-NN	16	77135-SS	8	79056-PT	11
607B	42	75024-PB	16	77146-SS	8	79056-SS	11
607C	42	75024-PT	16	77150-SS	8	79061-PT	11
657B	41	75024-RB	16	77518-SS	6	79061-SS	11
73818-PT	8	75024-SS	16	77524-SS	6	79062-PT	11
73818-RB	8	75035-NN	17	77535-SS	6	79062-SS	11
73818-SS	8	75035-PB	17	77546-SS	6	79218-PT	5
73824-PT	8	75035-PT	17	77550-SS	6	79218-RB	5
73824-RB	8	75035-RB	17	77612-SS	16	79218-SS	5
73824-SS	8	75035-SS	17	77718-SS	15	79224-PT	5
73835-PT	9	75046-NN	17	77724-SS	15	79224-RB	5
73835-RB	9	75046-PB	17	77736-SS	15	79224-SS	5
73835-SS	9	75046-PT	17	77746-SS	15	79235-PT	5
73846-PT	9	75046RB	17	77750-SS	15	79235-RB	5
73846-RB	9	75046-SS	17	77818-RB	11	79235-SS	5

Item Number	Page Number	Item Number	Page Number	Item Number	Page Number	Item Number	Page Number
79246-PT	5	9098SN	28, 41	D2498PC	25	EROLLC	42
79246-RB	5	928PC	42	D2498W	25	F1321	45
79246-SS	5	944SF	45	D2788PC	44	F1401	24
79250-PT	5	972PC	42	D77	40	F1402	24
79250-RB	5	972SN	42	D912PC	45	F1405	25
79250-SS	5	980B	46	DS2400PC	24	F1406	25
79618-BN	19	980C	46	E1006B	21	F1408C	24
79624-BN	19	B105-5	41	E110FL	41	F1430	23
79635-BN	19	B110-5	41	E1400-24	23	F1445	25
79646-BN	19	B9789	45	E1400-30	23	F1454	25, 45
79650-BN	19	B9790	45	E1400P	24	F1459	25, 45
807B	41	B9791	45	E161FL	39	F1475	25
8202PC	33	BU901R	43	E161FLCS	39	FB560	38
8208PC	33	D174	41	E167FLCS	39	S1F509PC	37
8216PC	33	D175-5	41	E176-5	40	S1F509W	37
8508B	33	D175-6	41	E176-6	40	S1F516PC	37
8902PC	32	D2402PC	24	E176FL	40	S1F516W	37
8902SN	32	D2402SN	24	E177-5	40	S1F524PC	37
8902VB	32	D2402W	24	E177-6	40	S1F524W	37
8908PC	32	D2405PC	25	E190BSX	39	S1F544	38
8908SN	32	D2405SN	25	E71	41	S1F545	38
8908VB	32	D2405W	25	E72	41	S1F547	37
8916PC	32	D2406PC	25	E74	41	S1F548	37
8916SN	32	D2406SN	25	E8200-18PC	33	S1F565	38
8916VB	32	D2406W	25	E8200-24PC	33	S1F566W	38
9002PC	27	D2408PC	24	E8200PPC	33	S1F570	38
9002SN	27	D2408SN	24	E850	41	S1F575	38
9008PC	27	D2408W	24	E8500A-18	32	S1F585	38
9008SN	27	D2416PC	24	E8500A-24	32	S1F595	38
9016PC	27	D2416SN	24	E8500P	32	S1F596	38
9016SN	27	D2416W	24	E8900-18PC	31	S1F597W	38
9018PC	26	D2418PC	23	E8900-18SN	31	S1F599	38
9018SN	26	D2418SN	23	E8900-24PC	31	S1F600W	38
9024PC	26	D2418W	23	E8900-24SN	31	S1FE571W	38
9024SN	26	D2424PC	23	E8900-24VB	31	S1FR571W	38
9045PC	26	D2424SN	23	E8900PPC	31	SF580	38
9045SN	26	D2424W	23	E8900PSN	31	SF590	38
9065PC	28	D2430PC	23	E8900PVB	31	SF598	38
9065SN	28	D2430SN	23	E9006B	28		
9097PC	27, 42	D2430W	24	E925C	43		
9097SN	27, 42	D2497PC	25	E930C	43		
9098PC	28, 41	D2497W	25	EROLLB	42		

TERMS AND CONDITIONS

PRICES:

The corresponding price list applies from its effective date and all prior corresponding price lists are cancelled. Prices are subject to change without notice. Prices in effect at time of shipment will apply. Items may be discontinued without notice.

PAYMENT:

Net 30 days from date of shipment and past due thereafter. Settlement of past due invoices is required before additional shipments will be made. Please mail remittances to Liberty Hardware® Manufacturing Corporation, 140 Business Park Drive, Winston-Salem, NC 27107

FREIGHT TERMS:

Shipment will be made by common carrier and freight will be charged except as follows: Freight will be prepaid on U.S. mainland shipments of \$1,500. Items in the price list may be combined for freight allowance purposes. Small shipments are sent by surface carrier unless customer specifies next day or 2nd day air. These freight charges, including insurance, will be added to invoice. There will be no additional freight charge on back orders if the original order met prepaid freight requirements.

ACCEPTANCE OF ORDERS:

Orders are accepted subject to strikes, fires or other conditions beyond our control. Acceptance of orders is subject to factory approval, including orders given to our representatives. Orders for future delivery will be billed at the prices in effect at time of shipment, unless written factory acceptance is received. No C.O.D. orders will be accepted: cash in advance would be required when open account is not approved. Orders for modified or specially fabricated items must be in writing and accepted on a non-cancelable and non-returnable basis.

MINIMUM ORDERS:

Orders under \$200.00 net will be subject to a service charge of \$25.00 net, plus freight.

NEW CUSTOMERS:

New accounts being opened must be accompanied by an order. The value of the first order must be \$500 net. No new order for a new account with a value under \$500 net will be accepted.

YEARLY MINIMUM PURCHASES:

Accounts with yearly net purchases under \$10,000 in a calendar year will be removed from our account base and directed to distributors for future purchases.

MERCHANDISE RETURNS:

No return merchandise will be accepted without prior written factory authorization and return goods authorization (RGA) number. Goods returned without such authorization will be refused. If return is authorized, it will be subject to the terms and conditions indicated in written authorization. All items must be returned in full box quantities. No returns due to overstock will be accepted. Some returns may be subject to a 25% restocking fee plus shipping unless negotiated by customer.

CLAIMS:

Claims must be reported in writing within 10 days of receipt of goods. Shipments are packed in approved containers and our responsibility for damage in transit ceases upon acceptance by carrier. If merchandise is damaged or lost in transit, claims should be filed with delivering carrier. Claims for shortage must be made in writing with documentation and are subject to factory verification.

CUSTOM FINISH PRODUCT CARE:

All Antique Brass, Antique Pewter, Aged Pewter, Matte Chrome, Polished Brass, Polished Nickel, Satin Brass, Satin Nickel, Satin Chrome, Pearl Nickel and Venetian Bronze® custom finishes are protected with tough polyurethane, clear acrylic or powder coatings. To clean, use a soft damp cloth only. Do not clean with detergents or abrasive cleaners, as they may be harmful to the finish.

WARRANTY POLICY:

LIBERTY HARDWARE MAKES NO GENERAL WARRANTY, EXPRESS OR IMPLIED, AS TO DESCRIPTION, QUALITY, MERCHANTABILITY, FITNESS OR USE FOR ANY PARTICULAR PURPOSE, APPLICATION, INSTALLATION, OR ANY OTHER MATTER ON ANY OF ITS PRODUCTS, APART FROM THE SPECIFIC PRODUCT WARRANTY TO THE CONSUMER PURCHASER.

No agent, employee or representative of Liberty Hardware has any authority to bind it to any affirmation, representation or warranty concerning its products. Any customer complaint as to defective merchandise should be forwarded to us for disposition. Liberty Hardware shall have no obligation or liability for consequential damages arising out of or in connection with the use or performance of its products or other indirect damages with respect to loss of property, revenues or profit, or cost of removal, installation or reinstallation.

WARRANTY INFORMATION

WARRANTY INFORMATION

The following warranty applies to all products sold under the Liberty®, Brainerd®, betsyfieldsdesign®, Knob Hill®, Franklin Brass®, Best Value® Bathware and Delta® Coordinates and Decor® Bathware brands and Safety First® and Safe Home™ Residential Assist Bars.

Liberty Hardware® Mfg. Corp. Limited Lifetime Warranty

Subject to the terms of this warranty, Liberty Hardware® Mfg. Corp. ("Liberty Hardware") warrants to the original consumer purchaser ("You") that the product will be free from defects in material and workmanship. If the product does not comply with this warranty, Liberty Hardware will repair or replace the product or, at Liberty Hardware's option, refund the purchase price. Repair, replacement, or refund of the original purchase price is your sole remedy under this or any other warranty on the product, whether expressed or implied.

Limited Warranty Period.

The warranty period is for the lifetime of the product and begins on the date of the initial installation of the product for residential purposes.

Limitations on the Warranty.

The warranty does not cover: (a) normal wear and tear; (b) damage through abuse, neglect, misuse, or as a result of any accident or act of God; (c) improper installation or maintenance; (d) commercial, industrial, institutional or other nonresidential use; or (e) products altered without Liberty Hardware's prior written consent. This warranty is not transferable.

Obligations of Purchaser.

If this product does not meet its warranty, return the product (postage prepaid) to the distributor or retailer from which it was purchased with proof of purchase and a written claim briefly describing the defect. You may be required to provide other information or evidence of the defect. Any returned product that is replaced or refunded becomes the property of Liberty Hardware.

Limitations on Implied Warranties.

IMPLIED WARRANTIES, INCLUDING ANY WARRANTY OF MERCHANTABILITY OR FITNESS FOR A PARTICULAR PURPOSE, ARE LIMITED TO THE SAME DURATION AS THIS EXPRESS WARRANTY; OTHERWISE, LIBERTY HARDWARE DISCLAIMS ALL WARRANTIES, EXPRESS OR IMPLIED. Some states do not allow limitations on how long an implied warranty lasts, so the above limitation may not apply to You.

Disclaimer.

NO OTHER EXPRESS WARRANTY HAS BEEN MADE OR WILL BE MADE ON BEHALF OF LIBERTY HARDWARE WITH RESPECT TO THE PRODUCT. LIBERTY HARDWARE SHALL NOT BE RESPONSIBLE FOR SPECIAL, INCIDENTAL OR CONSEQUENTIAL DAMAGES WHETHER ARISING OUT OF BREACH OF WARRANTY, BREACH OF CONTRACT, OR OTHERWISE. Some states do not allow the exclusion of incidental or consequential damages of an implied warranty so the above exclusion and limitation may not apply to You.

State Law.

This warranty gives you specific legal rights, and You also may have other rights, which vary from state to state.

If you have any questions about this warranty, contact Liberty Hardware at 1-800-652-7277

WARRANTY INFORMATION

Warranty Information

The following warranty applies to all Safety First® and Safe Home™ ADA compliant Grab Bars.

Liberty Hardware® Mfg. Corp. Limited Lifetime Warranty

Subject to the terms of this warranty, Liberty Hardware® Mfg. Corp. ("Liberty Hardware") warrants to the original consumer purchaser ("You") that the product will be free from defects in material and workmanship. If the product does not comply with this warranty, Liberty Hardware will repair or replace the product or, at Liberty Hardware's option, refund the purchase price. Repair, replacement, or refund of the original purchase price is your sole remedy under this or any other warranty on the product, whether expressed or implied.

Limited Warranty Period.

The warranty period is for the lifetime of the product and begins on the date of the initial installation of the product.

Limitations on the Warranty.

The warranty does not cover: (a) normal wear and tear; (b) damage through abuse, neglect, misuse, or as a result of any accident or act of God; (c) improper installation or maintenance; or (d) products altered without Liberty Hardware's prior written consent. This warranty is not transferable.

Obligations of Purchaser.

If this product does not meet its warranty, return the product (postage prepaid) to the distributor or retailer from which it was purchased with proof of purchase and a written claim briefly describing the defect. You may be required to provide other information or evidence of the defect. Any returned product that is replaced or refunded becomes the property of Liberty Hardware.

Limitations on Implied Warranties.

IMPLIED WARRANTIES, INCLUDING ANY WARRANTY OF MERCHANTABILITY OR FITNESS FOR A PARTICULAR PURPOSE, ARE LIMITED TO THE SAME DURATION AS THIS EXPRESS WARRANTY; OTHERWISE, LIBERTY HARDWARE DISCLAIMS ALL WARRANTIES, EXPRESS OR IMPLIED. Some states do not allow limitations on how long an implied warranty lasts, so the above limitation may not apply to You.

Disclaimer.

NO OTHER EXPRESS WARRANTY HAS BEEN MADE OR WILL BE MADE ON BEHALF OF LIBERTY HARDWARE WITH RESPECT TO THE PRODUCT. LIBERTY HARDWARE SHALL NOT BE RESPONSIBLE FOR SPECIAL, INCIDENTAL OR CONSEQUENTIAL DAMAGES WHETHER ARISING OUT OF BREACH OF WARRANTY, BREACH OF CONTRACT, OR OTHERWISE. Some states do not allow the exclusion of incidental or consequential damages of an implied warranty so the above exclusion and limitation may not apply to You.

State Law.

This warranty gives you specific legal rights, and You also may have other rights, which vary from state to state.

If you have any questions about this warranty, contact Liberty Hardware at 1-800-652-7277

©2010 Liberty Hardware Manufacturing Corporation
US Patents Pending

WARRANTY INFORMATION

Warranty Information

The following warranty applies to Bath Safety Seat, Benches and Chairs

LIMITED 10 YEAR WARRANTY

Liberty Hardware® Manufacturing Corporation warrants to the original consumer purchaser that this bath accessory will be free from defects in material and workmanship for ten years. Liberty Hardware will provide a replacement part for any defect covered by this warranty. To obtain replacement parts, call 800-542-3789 or write to:

Liberty Hardware Manufacturing Corporation
140 Business Park Drive, Winston-Salem, NC 27107

TO THE EXTENT PERMITTED BY LAW, LIBERTY HARDWARE® MANUFACTURING CORPORATION SHALL NOT BE LIABLE FOR LOSS OF USE OF THE PRODUCT OR OTHER INCIDENTAL OR CONSEQUENTIAL COSTS, EXPENSES OR DAMAGES, SUCH AS LABOR. Some states do not allow limitation or exclusion of incidental or consequential damages, so the above limitations or exclusions may not apply to you. This warranty does not cover damage as a result of normal wear and tear, misuse, abuse, or neglect, improper installation or assembly, improper maintenance, commercial use, or use of other than genuine Liberty Hardware replacement parts. This warranty gives you specific legal rights, and you may also have other rights which vary from state to state. This warranty is not transferable.

GARANTIE LIMITÉE DE 10 ANS

Liberty Hardware® Manufacturing Corporation garantit à l'acheteur original que cet accessoire de salle de bain n'aura pas de vice de matériaux et de fabrication pendant dix ans. Liberty Hardware offrira un remplacement des pièces pour tout vice couvert par cette garantie. Pour obtenir des pièces de remplacement, appelez le 800-542-3789 ou écrivez à:

Liberty Hardware Manufacturing Corporation
140 Business Park Drive, Winston-Salem, NC 27107

DANS LA MESURE PERMISE PAR LA LOI, LIBERTY HARDWARE® MANUFACTURING CORPORATION NE SERA PAS RESPONSABLE DE LA PERTE DE JOUISSANCE DU PRODUIT OU AUTRES FRAIS, DÉPENSES OU DOMMAGES ACCESSOIRES OU INDIRECTS, TELS QUE LA MAIN-D'OEUVRE. Certains États ne permettent pas l'exclusion ou les limitations d'une garantie implicite, les exclusions et limitations ci-dessus ne sont peut-être pas applicables. Cette garantie ne couvre pas les dommages résultant d'un usage normal, d'une mauvaise installation ou d'un mauvais assemblage, d'un mauvais entretien, d'un usage commercial ou de l'utilisation de pièces de remplacement qui ne soient pas des pièces de Liberty Hardware véritables. Cette garantie vous confère des droits précis auxquels peuvent s'ajouter d'autres droits variant d'un État à l'autre ou d'une province à l'autre. Cette garantie n'est pas transférable.

GARANTÍA LIMITADA DE 10 AÑOS

Liberty Hardware® Manufacturing Corporation garantiza al comprador original que este accesorio para baño estará libre de defectos de materiales y mano de obra por diez años. Liberty Hardware proveerá una pieza de reemplazo para cualquier defecto cubierto por esta garantía. Para obtener piezas de reemplazo, llame al 800-542-3789 o escriba a:

Liberty Hardware Manufacturing Corporation
140 Business Park Drive, Winston-Salem, NC 27107

POR CUÁNTO LO PERMITA LA LEY, LIBERTY HARDWARE® MANUFACTURING CORPORATION NO SERÁ RESPONSABLE POR LA PÉRDIDA DE USO DEL PRODUCTO U OTROS COSTOS, GASTOS O DAÑOS INCIDENTALES O EMERGENTES, TALES COMO MANO DE OBRA. Algunos estados no permiten la limitación o exclusión de daños incidentales o emergentes, por lo que las limitaciones o exclusiones anteriores podrían no aplicarle a usted. Esta garantía no cubre daños que sean el resultado del uso y desgaste normales, uso inapropiado, abuso, negligencia, instalación o ensamblaje inapropiados, mantenimiento inapropiado, uso comercial, o el uso de piezas de reemplazo que no sean genuinas de Liberty Hardware. Esta garantía le da derechos legales específicos, y usted también podría tener otros derechos que varían de estado a estado. Esta garantía no es cedible.

Inquiries/Renseignements/ Preguntas: 140 Business Park Drive • Winston-Salem, NC, USA 27107 • 800-542-3789

Franklin Brass®

A Liberty Hardware Brand



LIBERTY HARDWARE®
MANUFACTURING CORPORATION

140 Business Park Drive • Winston-Salem, NC 27107
866.264.1964 • www.libertyhardware.com

BHBD05-XXX-XX ©2010 LHMC, A Masco Company